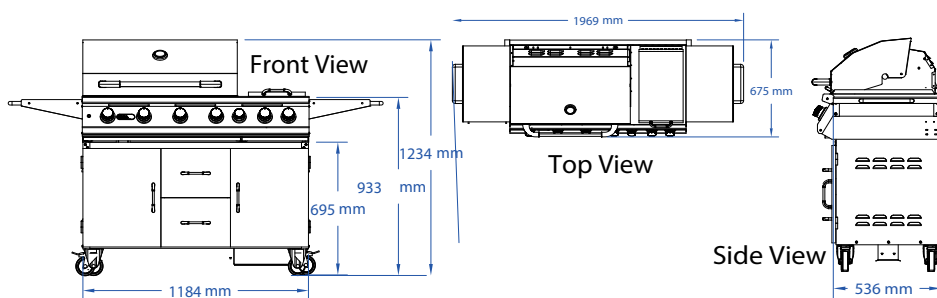


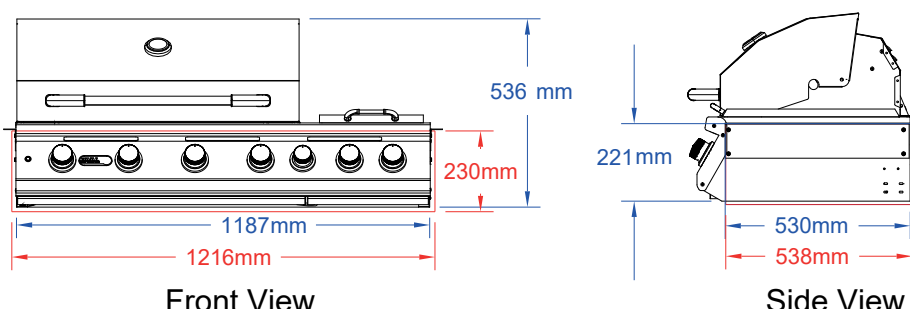
7 Burner Cart

Standard Features	
7 Burner Cart	#28368CE-LPG #28369CE-NG
7 Burner Built-In	#18248CE-LPG #18249CE-NG
Recommended Use	Commercial Residential
Cooking Power-kWh	31.00 kWh
Burners	4 - Cast S/Steel Bar Burners
Infrared Back Burner	✓
Cast Stainless Steel Double Side Burners	✓
Piezo Ignites	✓
Zinc Knobs	✓
Stainless Steel 304 Gauge	2.00 mm
Single Piece SS Dual Lined Hood	✓
Solid Stainless Steel Grates	✓
Heavy Duty Thermometer	✓
Solid S/Steel Warming Rack	✓
Stainless Steel Rotisserie Motor	✓
Stainless Steel Grease Tray	✓
Stainless Steel Side Shelves	✓
Twin Lighting System	✓
SS 304 Double Door Storage Cart	✓
SS 304 Door/Drawer Storage Cart	✓
Heavy Duty Castors	✓
CSA Certified	✓
CE Certified	✓
Lower Cooking Surface	76 x 49 cm
Upper Cooking Surface	76 x 18 cm
Warranty Details	
Fire Box & Roasting Hood	Lifetime
Cooking Grates	Lifetime
Burners	Lifetime
Flame Tamers	5 Years
Packing Dimensions	
Grill Carton Length	125 cm
Grill Carton Width	70 cm
Grill Carton Height	60 cm
Grill Carton Cube	0.53 M ³
Grill Carton Weight	96.00 Kg
Cart Bottom Packing Dimensions	
Cart Carton Length	127 cm
Cart Carton Width	62 cm
Cart Carton Height	63 cm
Cart Carton Cube	0.50 M ³
Cart Carton Weight	68.00 Kg



The 7 Burner Premium Grill is the largest and most versatile of all our carts. It has an impressive cooking area, with infrared Back Burner and rotisserie, along with extra storage space. The incorporated double side burner saves space especially when incorporating in an Outdoor Kitchen

7 Burner Built-In



*Red measurements shown are the recommended cut-out dimensions