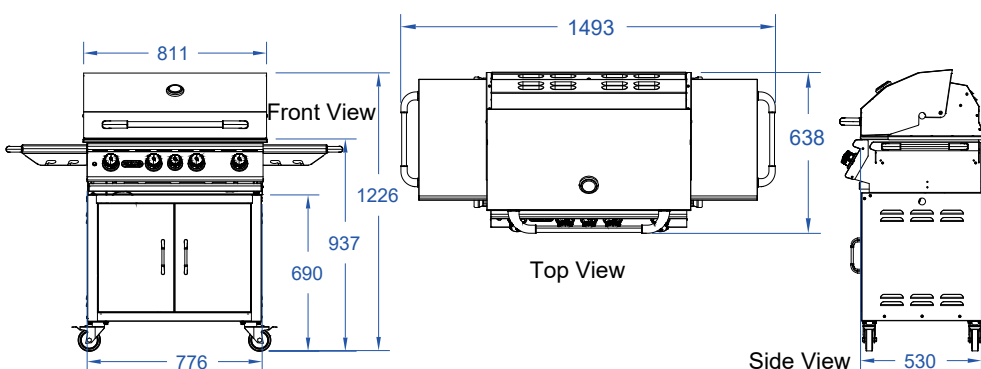


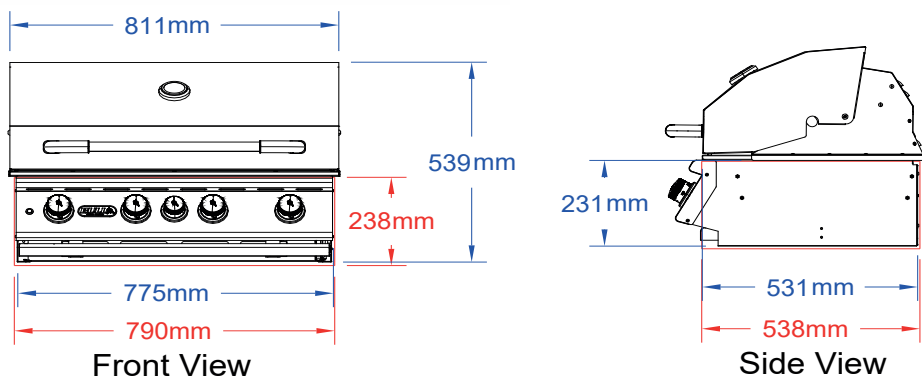
Angus Cart

Standard Features	
Angus Cart	#44000CE-LPG #44001CE-NG
Angus Built-In	#47628CE-LPG #47629CE-NG
Recommended Use	Commercial Residential
Cooking Power- kWh	22.00 kWh
Burners	4-Cast S/Steel Bar Burners
Infrared Back Burner	✓
Cast Stainless Steel Double Side Burners	Optional #60010CE Side Kick Side Burner
Piezo Igniter	✓
Zinc Knobs	✓
Stainless Steel 304 Gauge	2.00 mm
Single Piece SS Dual Lined Hood	✓
Solid Stainless Steel Grates	✓
Heavy Duty Thermometer	✓
Solid S/Steel Warming Rack	✓
Stainless Steel Rotisserie Motor	✓
Stainless Steel Grease Tray	✓
Stainless Steel Side Shelves	✓
Twin Lighting System	✓
SS 304 Double Door Storage Cart	✓
SS 304 Door/Drawer Storage Cart	✗
Heavy Duty Castors	✓
CSA Certified	✓
CE Certified	✓
Lower Cooking Surface	76 x 49 cm
Upper Cooking Surface	76 x 18 cm
Warranty Details	
Fire Box & Roasting Hood	Lifetime
Cooking Grates	Lifetime
Burners	Lifetime
Flame Tamers	5 Years
Packing Dimensions	
Grill Carton Length	88 cm
Grill Carton Width	66 cm
Grill Carton Height	63 cm
Grill Carton Cube	0.37 M ³
Grill Carton Weight	76.00 Kg
Cart Bottom Packing Dimensions	
Cart Carton Length	90 cm
Cart Carton Width	58 cm
Cart Carton Height	82 cm
Cart Carton Cube	0.43 M ³
Cart Carton Weight	40.00 Kg



The Angus Grill is a 76cm 4-Burner Stainless Steel Barbecue Grill with an Infrared Back Burner and rotisserie. This grill cart has room to prepare food and great storage for your tools and propane tank.

Angus Built-In



*Red measurements shown are the recommended cut-out dimensions