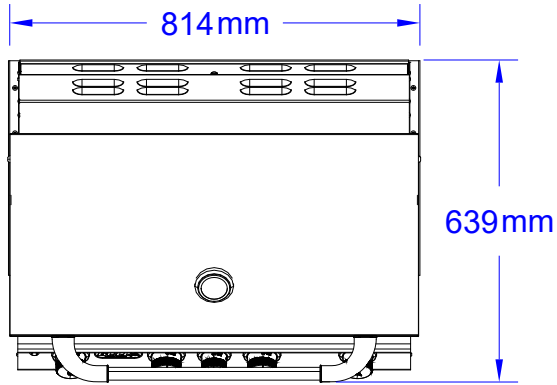
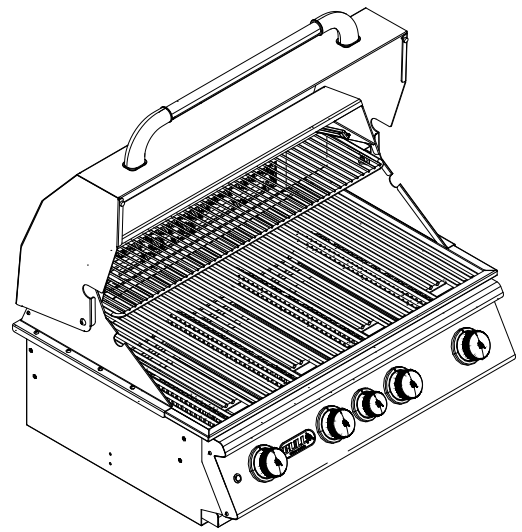




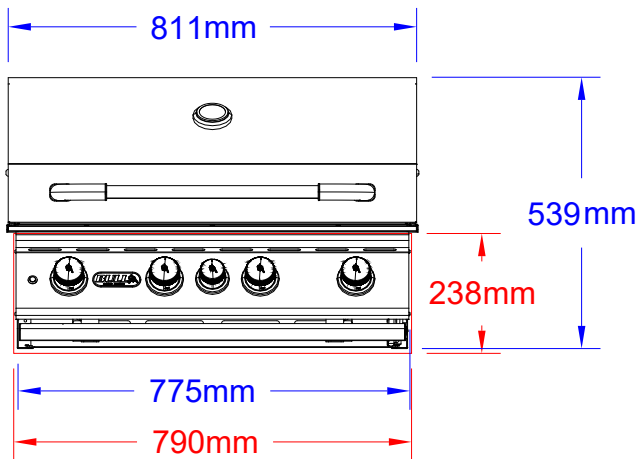
ITEMS: #47628CE LP, 47629CE NG
ANGUS GRILL



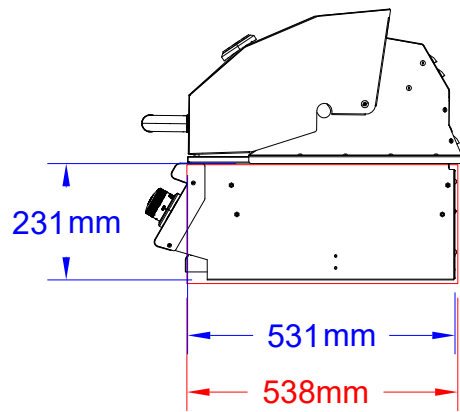
Top View



Isometric View



Front View



Side View

SPEC SHEET NOTES:

1. **CUTOUT DIMENSIONS 790L X 538D X 238H**
2. SCALE: 1 : 15(Printer page scaling none, do not use fit to printable area option)
3. REVISION: 07/2018