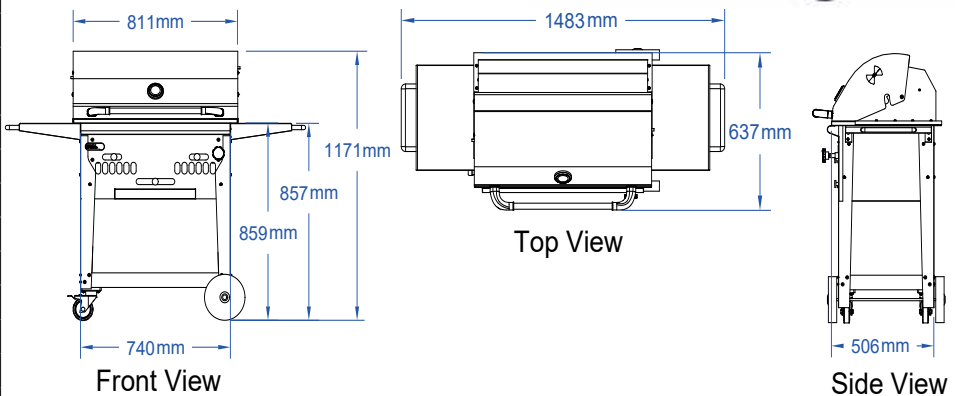


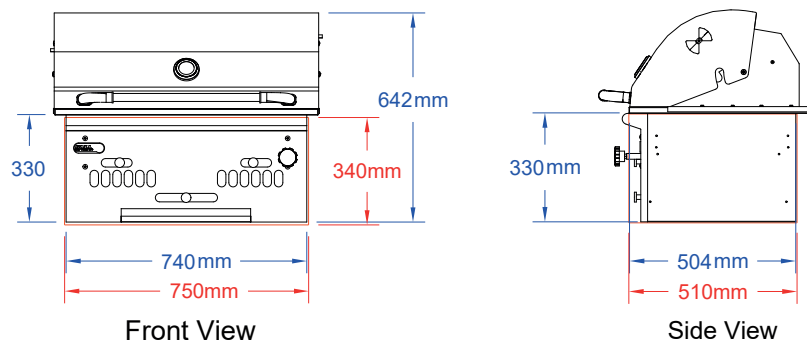
Bison Charcoal Cart

Standard Features	
Bison Cart	#67531
Bison Built - In	#67529
Recommended Use	Commercial Residential
Cooking Power-kWh	Charcoal
Burners	
Infrared Back Burner	✗
Cast Stainless Steel Double Side Burners	✗
Piezo Igniter	✗
Zinc Knobs	✗
Stainless Steel 304 Gauge	1.30 mm
Single Piece SS Dual Lined Hood	✓
Solid Stainless Steel Grates	✓
Heavy Duty Thermometer	✓
Solid S/Steel Warming Rack	✓
Stainless Steel Rotisserie Motor	✗
Stainless Steel Grease Tray	✓
Stainless Steel Side Shelves	✓
Twin Lighting System	✗
SS 304 Double Door Storage Cart	✗
SS 304 Door/Drawer Storage Cart	✗
Heavy Duty Castors	✓
CSA Certified	✓
CE Certified	✓
Lower Cooking Surface	76 x 49 cm
Upper Cooking Surface	76 x 18 cm
Warranty Details	
Fire Box & Roasting Hood	Lifetime
Cooking Grates	Lifetime
Burners	
Flame Tamers	
Grill	Packing Dimensions
Grill Carton Length	89 cm
Grill Carton Width	70 cm
Grill Carton Height	68 cm
Grill Carton Cube	0.42 M ³
Grill Carton Weight	55.00 Kg
Cart Bottom	Packing Dimensions
Cart Carton Length	84 cm
Cart Carton Width	52 cm
Cart Carton Height	16 cm
Cart Carton Cube	0.07 M ³
Cart Carton Weight	18.00 Kg



The Bison Charcoal Grill has a large primary cooking area and stainless steel side shelves that provide plenty of space for food preparation on either side of the grill.

Bison Charcoal Built-In



*Red measurements shown are the recommended cut-out dimensions