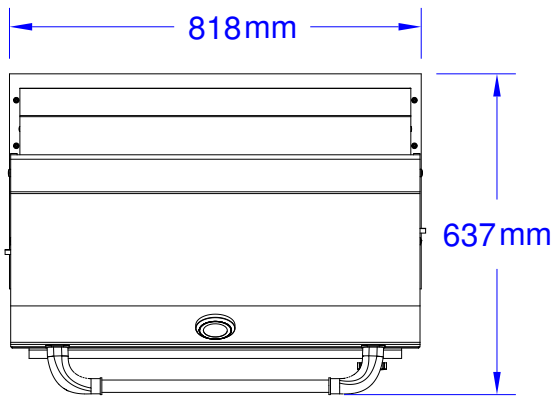
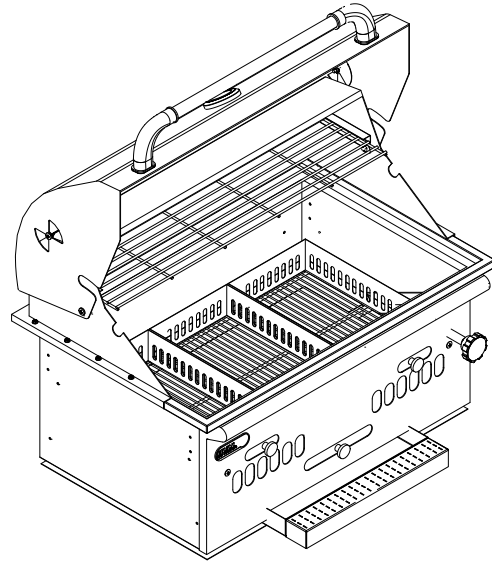




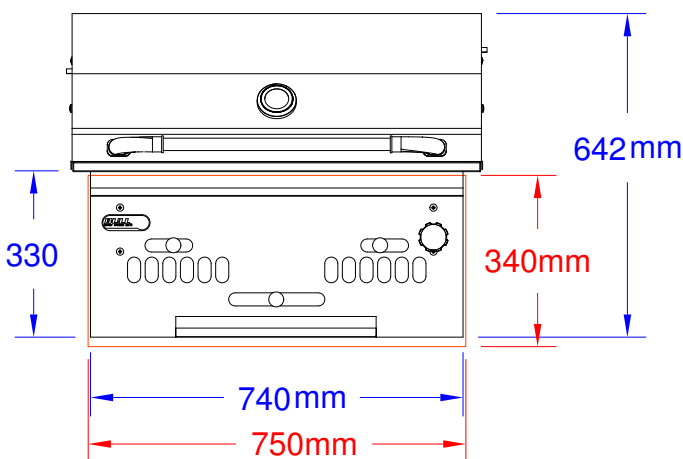
ITEMS: #67529  
BISON CHARCOAL GRILL HEAD



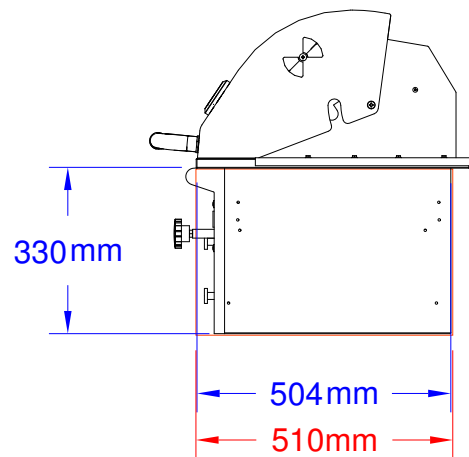
Top View



Isometric View



Front View



Side View

SPEC SHEET NOTES:

1. **CUTOUT DIMENSIONS 750L X 510D X 340H**
2. SCALE: 1:15 ( Printer page scaling none, do not use fit to printable area option )
3. REVISION: 10/2018