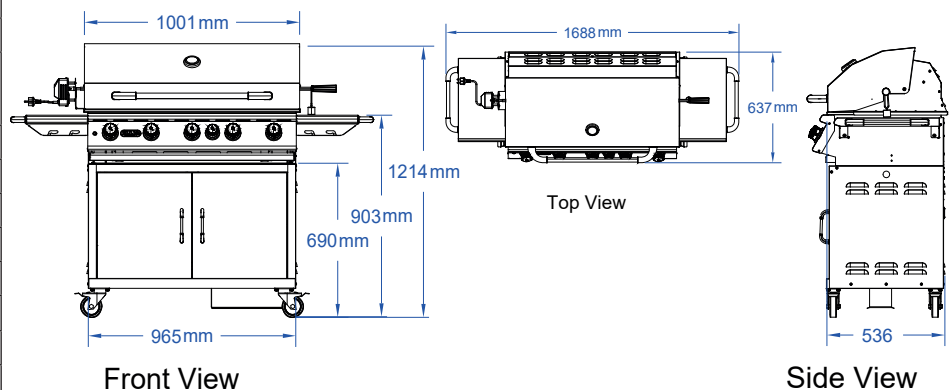


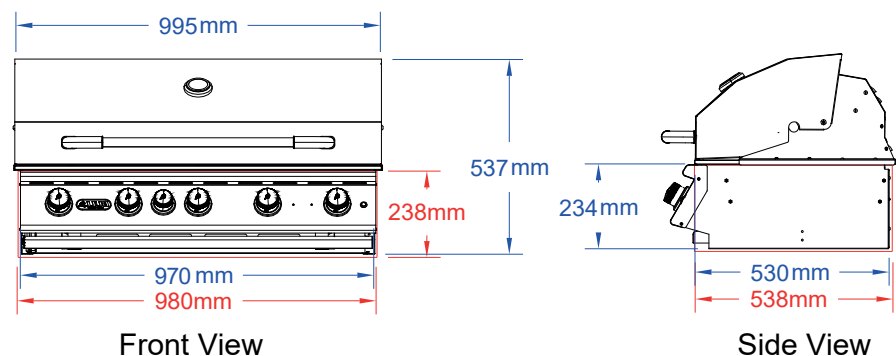
Brahma Cart

Standard Features	
Brahma Cart	#55000CE-LPG #55001CE-NG
Brahma Built-In	#57568CE-LPG #57569CE-NG
Recommended Use	Commercial Residential
Cooking Power-kWh	26.40 kWh
Burners	5 - Cast S/Steel Bar Burners
Infrared Back Burner	✓
Cast Stainless Steel Double Side Burners	Optional #60010CE Side Kick Side Burner
Piezo Ignites	✓
Zinc Knobs	✓
Stainless Steel 304 Gauge	2.00 mm
Single Piece SS Dual Lined Hood	✓
Solid Stainless Steel Grates	✓
Heavy Duty Thermometer	✓
Solid S/Steel Warming Rack	✓
Stainless Steel Rotisserie Motor	✓
Stainless Steel Grease Tray	✓
Stainless Steel Side Shelves	✓
Twin Lighting System	✓
SS 304 Double Door Storage Cart	✓
SS 304 Door/Drawer Storage Cart	✗
Heavy Duty Castors	✓
CSA Certified	✓
CE Certified	✓
Lower Cooking Surface	97 x 49 cm
Upper Cooking Surface	97 x 18 cm
Warranty Details	
Fire Box & Roasting Hood	Lifetime
Cooking Grates	Lifetime
Burners	Lifetime
Flame Tamers	5 Years
Packing Dimensions	
Grill Carton Length	107 cm
Grill Carton Width	69 cm
Grill Carton Height	62 cm
Grill Carton Cube	0.46 M ³
Grill Carton Weight	83.00 Kg
Cart Bottom Packing Dimensions	
Cart Carton Length	109 cm
Cart Carton Width	58 cm
Cart Carton Height	82 cm
Cart Carton Cube	0.52 M ³
Cart Carton Weight	45.00 Kg



The Brahma Grill is a 97cm 5-Burner stainless steel gas barbecue with an infrared back burner and rotisserie. This cart has plenty of room for grilling and plenty of storage under the grill for your propane tank and tools.

Brahma Built-In



*Red measurements shown are the recommended cut-out dimensions