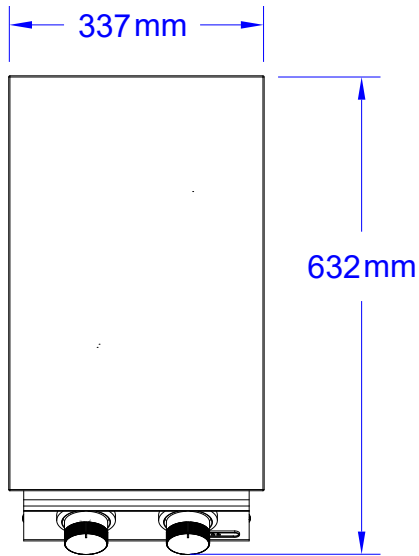
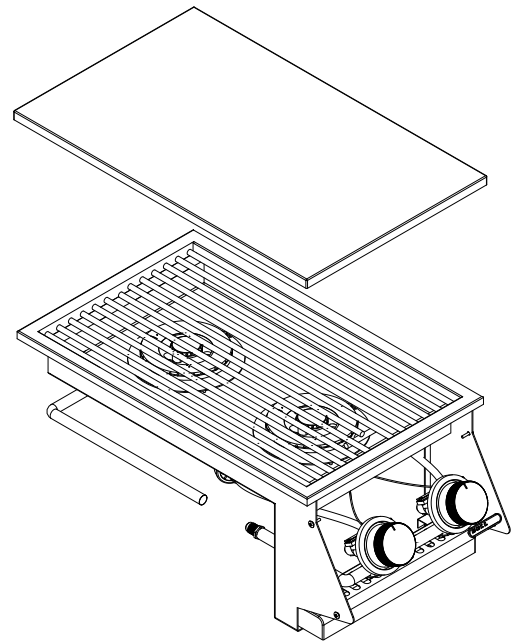




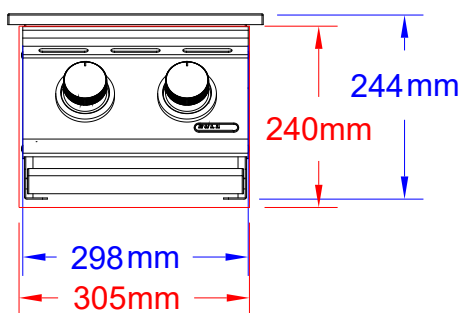
ITEMS: #30008CE LP, #30009CE NG  
SLIDE IN SIDE BURNER



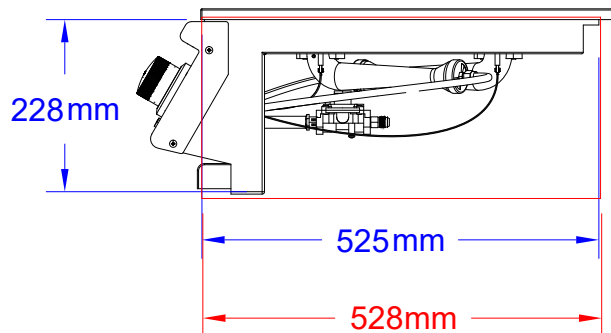
Top View



Isometric View



Front View



Side View

SPEC SHEET NOTES:

1. **CUTOUT DIMENSIONS : 305L X 528D X 240H**
2. SCALE: 1 : 10 ( Printer page scaling none, do not use fit to printable area option)
3. REVISION: 07/2018