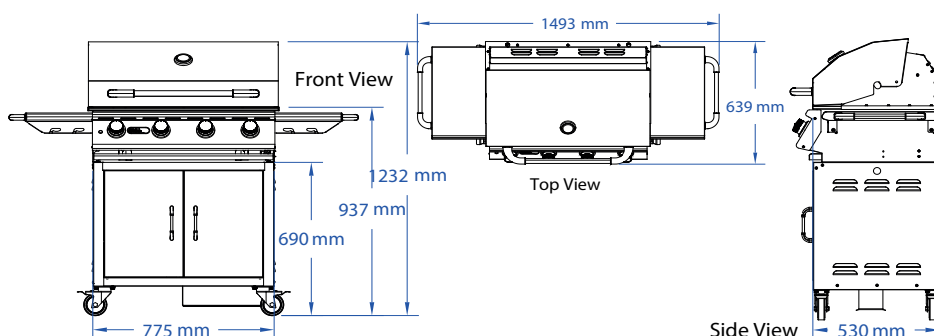


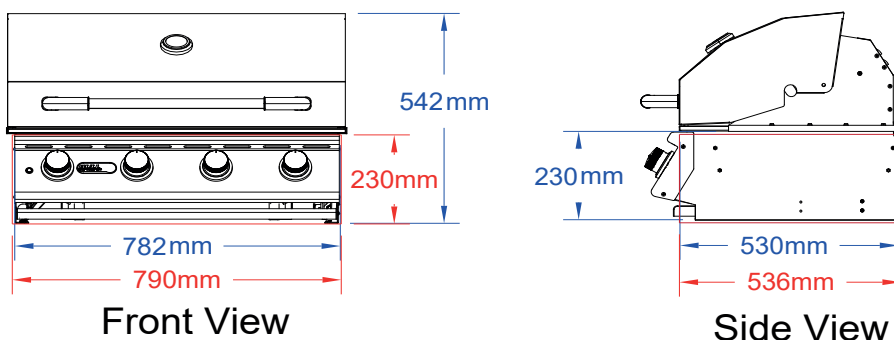
Lonestar Cart

Standard Features	
Lonestar Cart	#87001CE-LPG #87002CE-NG
Lonestar Built-In	#87048CE-LPG #87049CE-NG
Recommended Use	Commercial Residential
Cooking Power-kWh	17.60 kWh
Burners	4-Welded S/Steel Bar Burners
Infrared Back Burner	✗
Cast Stainless Steel Double Side Burners	Optional #60010CE Side Kick Side Burner
Piezo Igniter	✓
Zinc Knobs	✓
Stainless Steel 304 Gauge	2.00 mm
Single Piece SS Dual Lined Hood	✓
Solid Stainless Steel Grates	✓
Heavy Duty Thermometer	✓
Solid S/Steel Warming Rack	✓
Stainless Steel Rotisserie Motor	✗
Stainless Steel Grease Tray	✓
Stainless Steel Side Shelves	✓
Twin Lighting System	✓
SS 304 Double Door Storage Cart	✓
SS 304 Door/Drawer Storage Cart	✗
Heavy Duty Castors	✓
CSA Certified	✓
CE Certified	✓
Lower Cooking Surface	76 x 49 cm
Upper Cooking Surface	76 x 18 cm
Warranty Details	
Fire Box & Roasting Hood	Lifetime
Cooking Grates	Lifetime
Burners	5 Years
Flame Tamers	5 Years
Grill	Packing Dimensions
Grill Carton Length	86 cm
Grill Carton Width	66 cm
Grill Carton Height	63 cm
Grill Carton Cube	0.36 M ³
Grill Carton Weight	60.00 Kg
Cart Bottom	Packing Dimensions
Cart Carton Length	90 cm
Cart Carton Width	58 cm
Cart Carton Height	82 cm
Cart Carton Cube	0.43 M ³
Cart Carton Weight	40.00 Kg



This Grill is a 4-Burner Stainless Steel Gas Barbecue Grill. It has extra storage for a propane tank or other grilling necessities and its food prep areas on either side of the grill leave plenty of room to serve your favourite dishes.

Lonestar Built-In



*Red measurements shown are the recommended cut-out dimensions