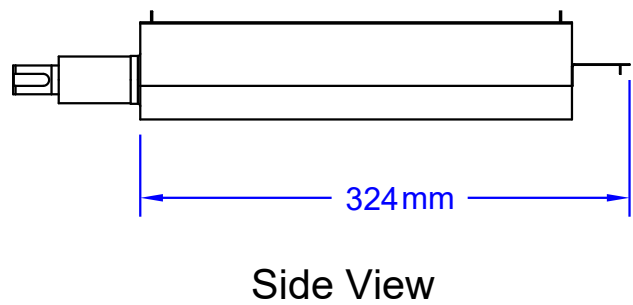
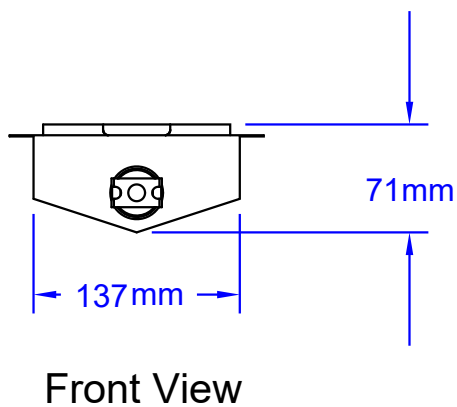
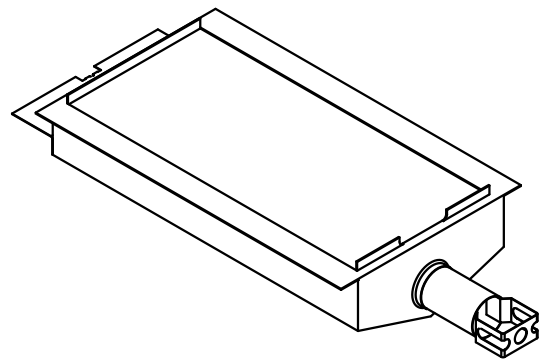
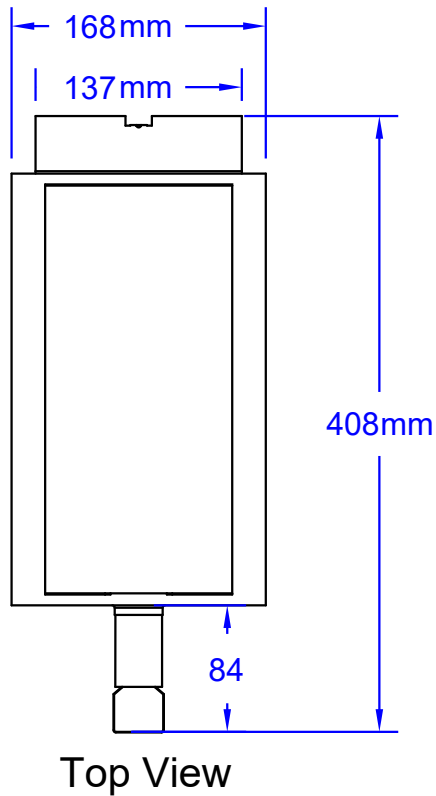




ITEMS: #20505
SEARING BURNER



SPEC SHEET NOTES:

1. SCALE: 1 : 5 (Printer page scaling none, do not use fit to printable area option)
2. REVISION: 07/2018