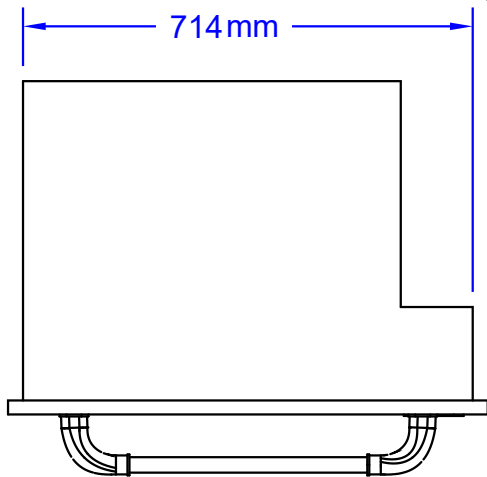
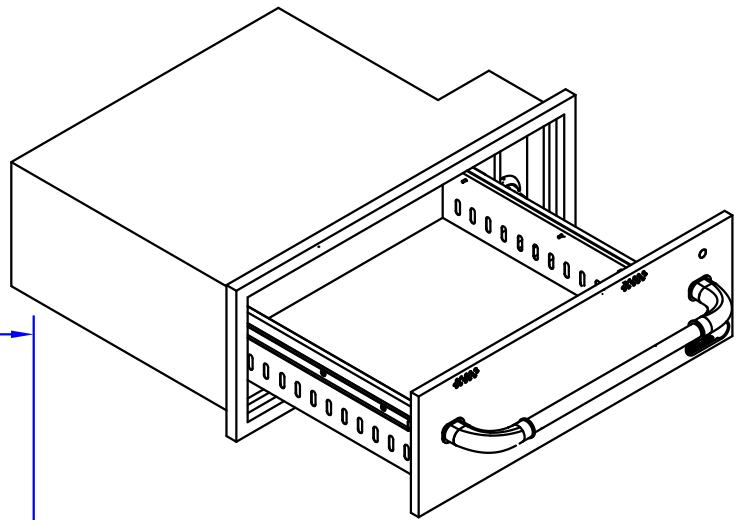




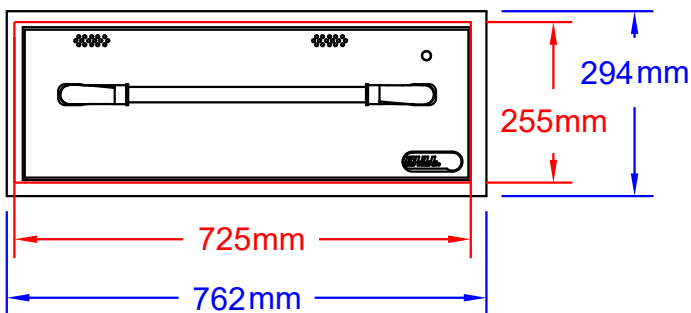
ITEMS: #85747
WARNING DRAWER



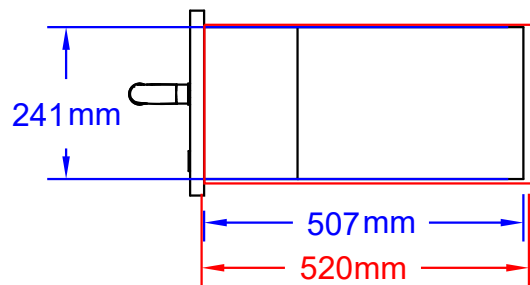
Top View



Isometric View



Front View



Side View

SPEC SHEET NOTES:

1. CUT DIMENSION 725L X 520D X 255H
2. SCALE: 1 : 12 (Printer page scaling none, do not use fit to printable area option)
3. REVISION: 07/2018