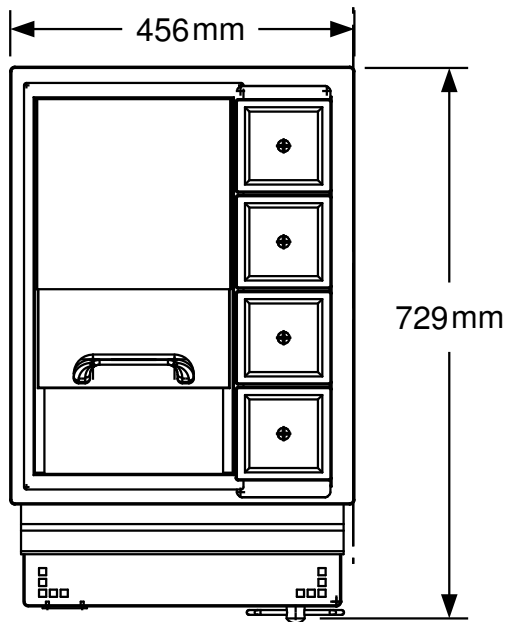
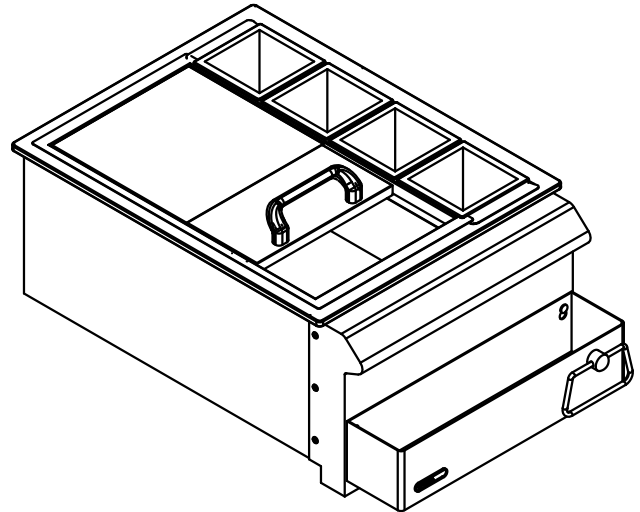




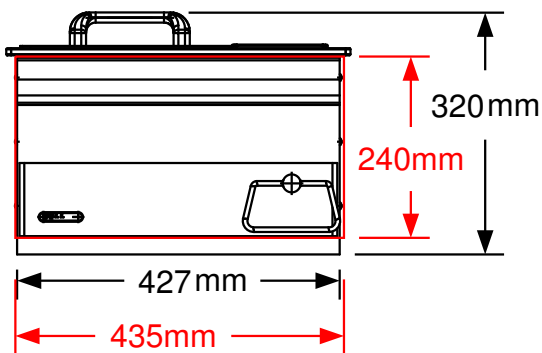
ITEM: #85624
46CM BAR CENTER



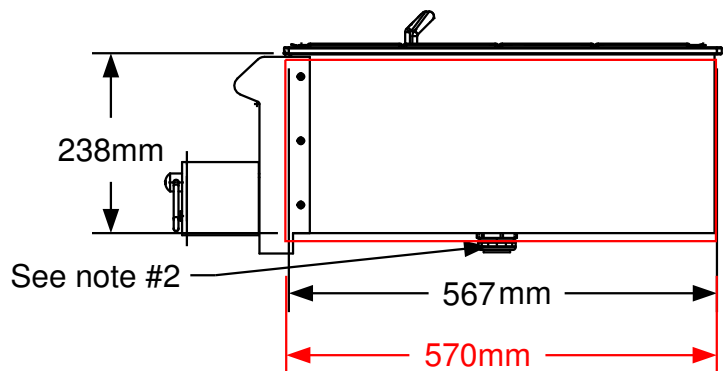
Top View



Isometric View



Front View



Side View

SPEC SHEET NOTES:

1. CUTOUT DIMENSIONS: 435L X 570D X 240H
2. DRAIN CONNECTION: 40mm
3. SCALE: 1 : 10 (Printer page scaling none, do not use fit to printable area option)
4. REVISION: 10/2018