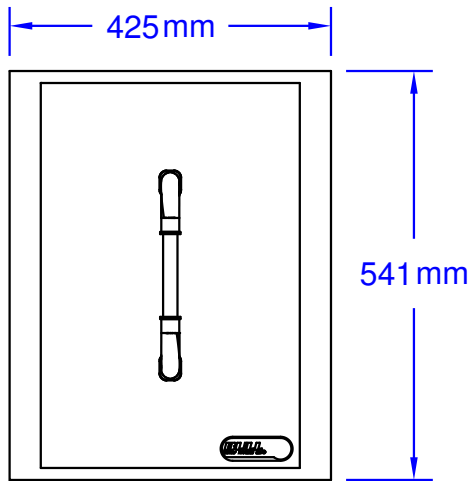
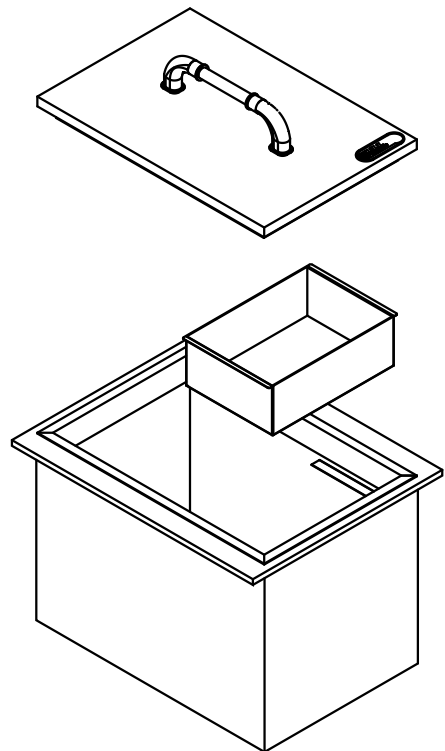




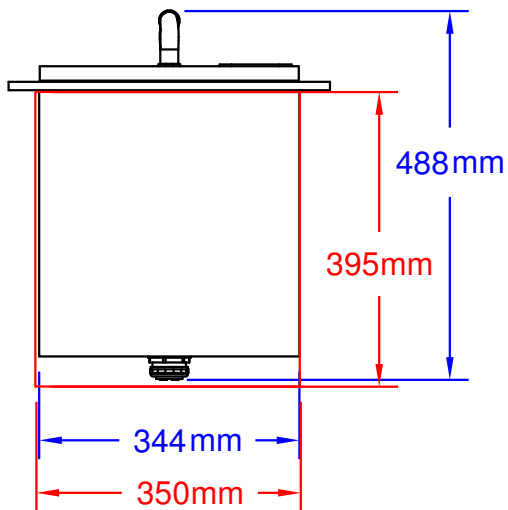
ITEMS: #00002
ICE CHEST



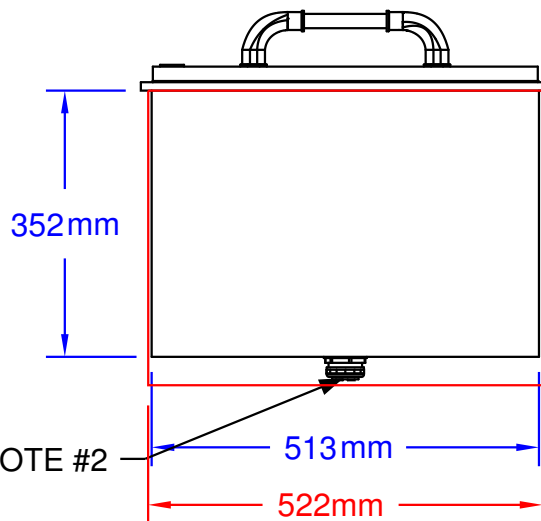
Top View



Isometric View



Front View



Side View

SPEC SHEET NOTES:

1. CUTOUT DIMENSIONS: 350L X 522D X 395H
2. DRAIN LINE: 40mm
3. SCALE: 1 : 10 (Printer page scaling none, do not use fit to printable area option)
4. REVISION: 10/2018