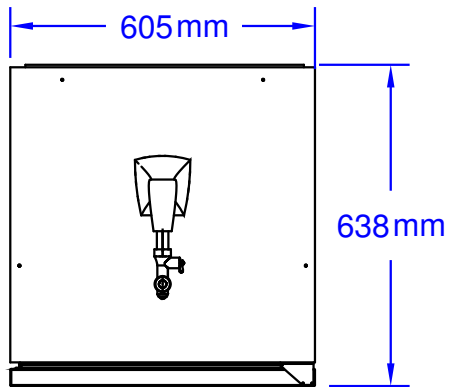
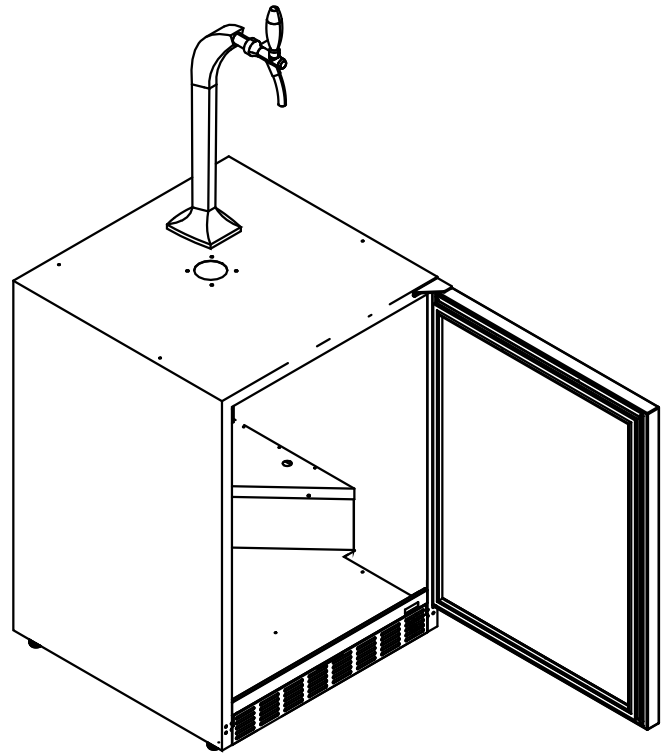




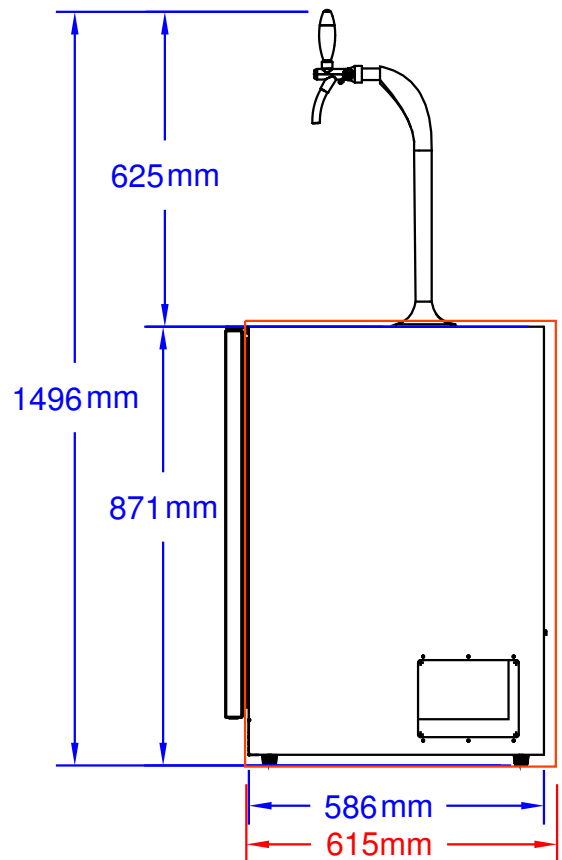
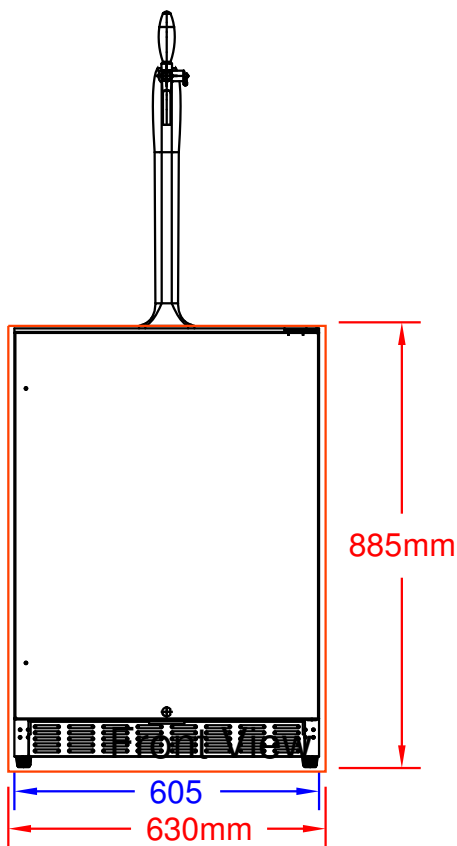
ITEMS: #17900CE
KEGENERATOR



Top View



Isometric View



Side View

SPEC SHEET NOTES:

1. **CUTOUT DIMENSIONS: 630L X 615D X 885H**
2. SCALE: 1 : 15 (Printer page scaling none, do not use fit to printable area option)
3. REVISION: 10/2018