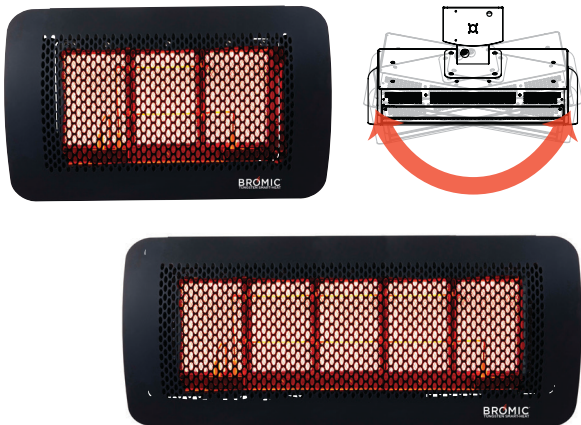


TUNGSTEN SMART-HEAT™ GAS

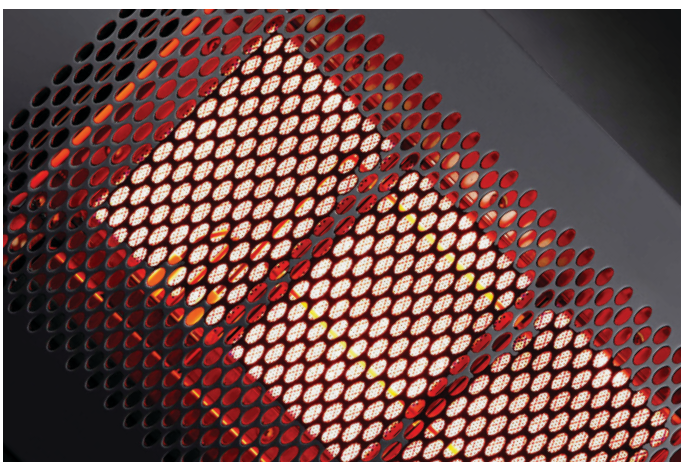
A designed, cost-conscious product blending aesthetics and function



A designed, cost-conscious product range that does not sacrifice aesthetics for function.

The patented direct ignition system, never before seen on an outdoor gas radiant heater, ensures a reliable start and effective operation, even in winds of up to 12km/h.

Easy pivot arm provides greater positioning versatility and heat coverage.



TUNGSTEN SMART-HEAT™ GAS

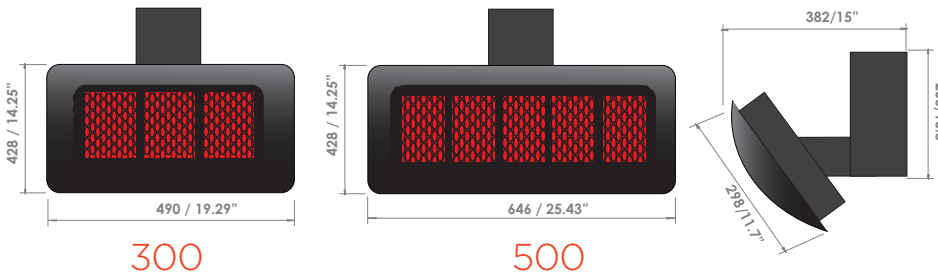
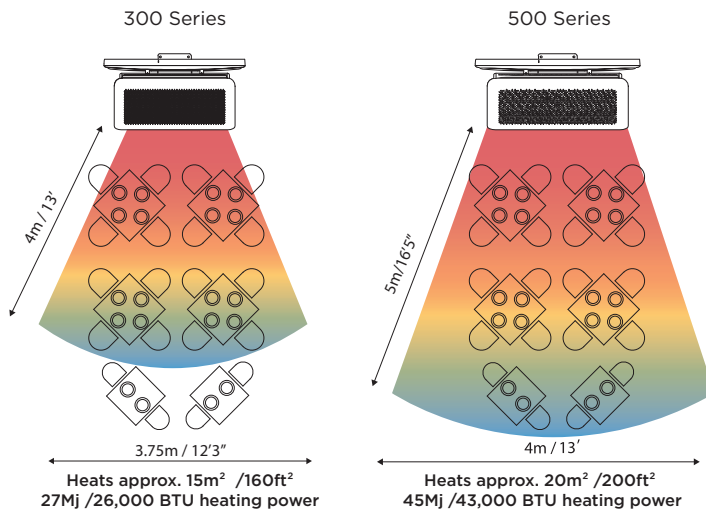


FEATURES:

- Universal bracket — easy upgrade from 300 to 500 model. No additional plumbing or wiring required.
- Bi-directional easy-pivot arm — 25° rotation each side.
- Electronic ignition — one or multiple units can be switched on and off simultaneously from a single remote-located switch.
- Automatic re-ignition — should the heater not re-ignite for any reason, the integrated “Flame Failure safety Shut-off Control” turns the heater off immediately.
- Stainless steel casing — components are protected from tampering. Assists in preventing dirt and dust from accumulating on the wiring and components.

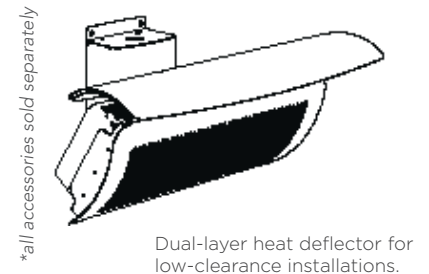
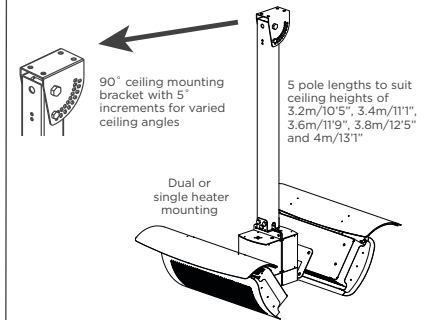


HEATING AREAS:

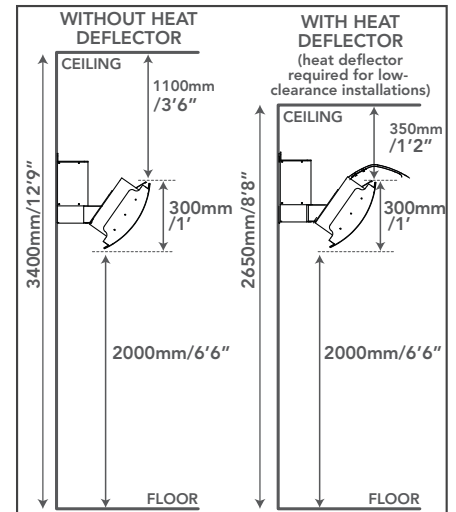


ACCESSORIES*

- Dual-directional ceiling pole
- Ceiling Pole Unit must be mounted 2.5m off the ground
- Dual-layer heat deflector (See part numbers in table below)



MINIMUM INSTALLATION CLEARANCES WALL MOUNTING



| Model | 300 Series | 500 Series |
|---|---|--------------------------------|
| Ceiling Pole | 5 pole lengths to suit ceiling heights of 3.2, 3.4, 3.6, 3.8 and 4m (contact Bromic Heating for more information) | |
| Heat Output (on LPG and NG) | 27Mj | 45Mj |
| Approximate area heated (m ²) | up to 15m ² | up to 20m ² |
| Gas connection | 3/8" SAE | 3/8" SAE |
| Electrical connection | 240 Volt, 3-pin insulated plug | 240 Volt, 3-pin insulated plug |
| Dimension (WxDxHmm) | 490 x 464 x 428mm | 646 x 464 x 428mm |
| Min. distance to combustible materials ² (without heat deflector) ² | Side: 1100mm | |
| (with heat deflector) ² | Above (to ceiling): 350mm | |
| Mounting height requirement to ground ³ | Wall Mount: 2000mm, Ceiling Pole Mount: 2500mm | |
| Weight (kg) | 14kg | 18kg |

¹Must only be installed by a licensed technician. Must complete "Pre-Installation Checklist" before installing. ²The temperature will not exceed 65°C above the ambient temperature at specified distances. Please consult material manufacturer for temperature ratings and suitability. Bromic Heating takes no responsibility for material compliance. ³Installation must be performed in accordance with AS5601 installation code (or relevant standard) and must comply with any additional jurisdictional requirements. Bromic takes not responsibility for incorrect or non-compliant installations

BROMICHEATING.CO.UK

SMART-HEATING

HEAD OFFICE: 1 Suttor Street, Silverwater, Sydney NSW 2128 Australia HEAD OFFICE POSTAL: PO Box 6062, Silverwater, Sydney NSW 1811 Australia
T: 1300 276 642 (within Australia) or +61 2 9748 3900 (from overseas) F: +61 2 9748 4289 E: info@bromicheating.com W: www.bromicheating.com