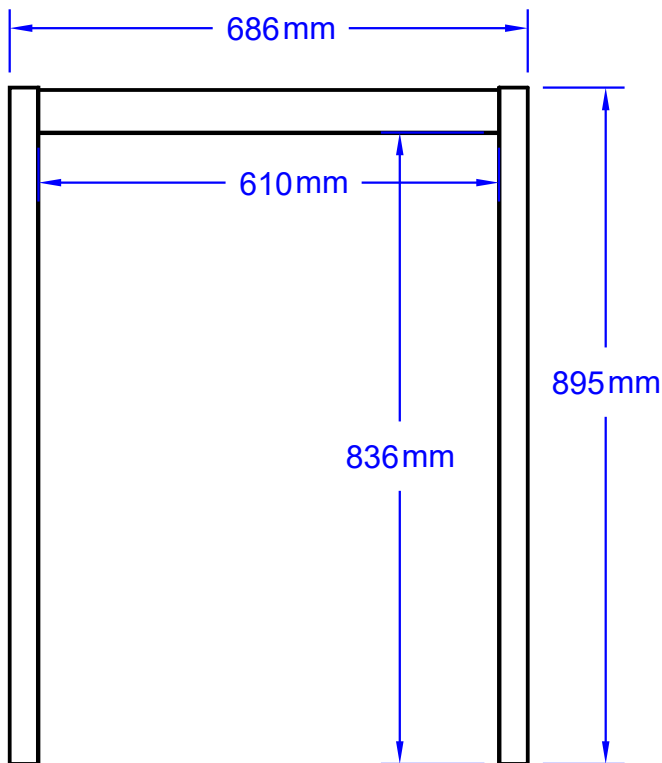
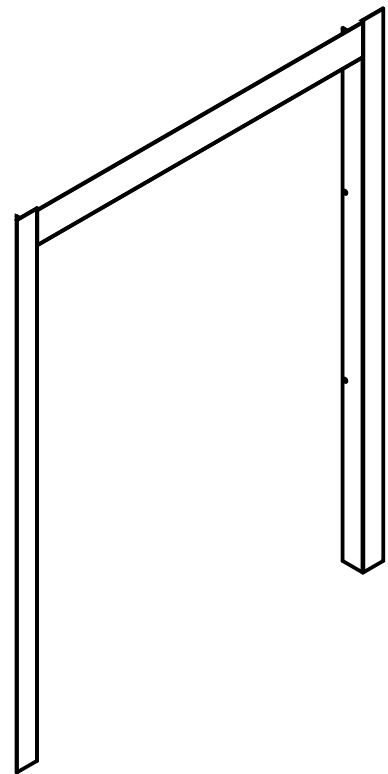
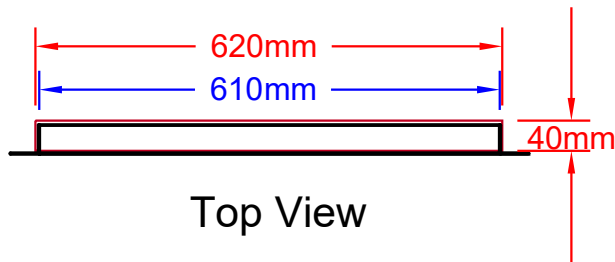
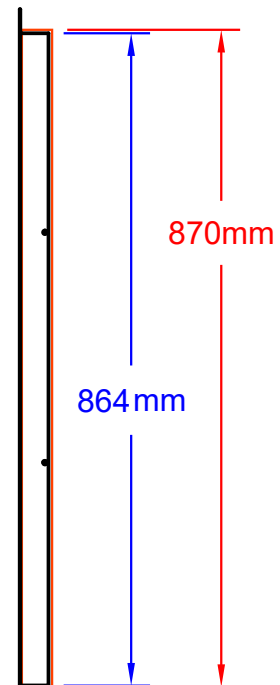




ITEMS: #13900
PREMIUM OUTDOOR FRIDGE FINISHING FRAME



Isometric View



SPEC SHEET NOTES:

1. **CUTOUT DIMENSIONS: 620L X 40D X 192H**
2. SCALE: 1 : 10 (Printer page scaling none, do not use fit to printable area option)
3. REVISION: 07/2018