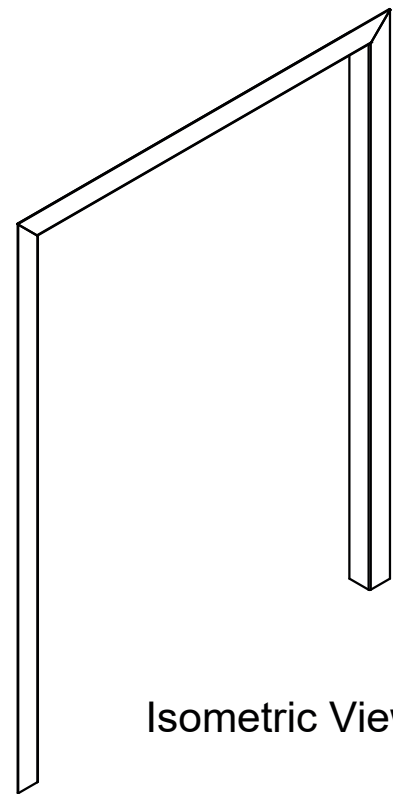
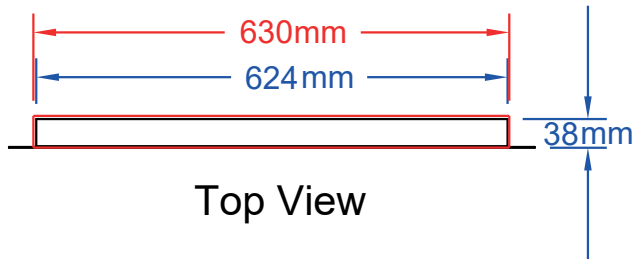
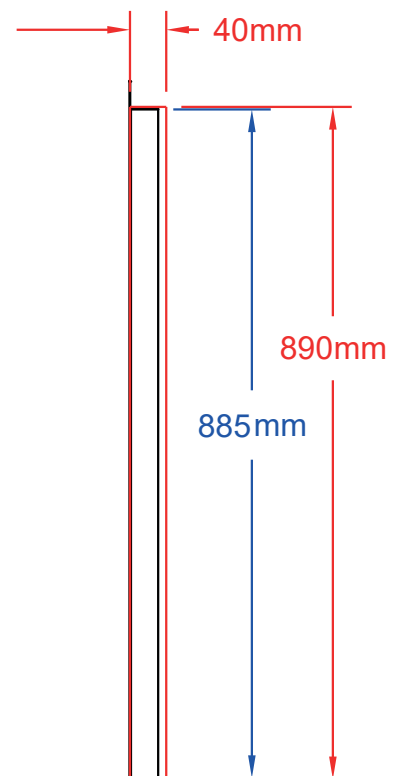
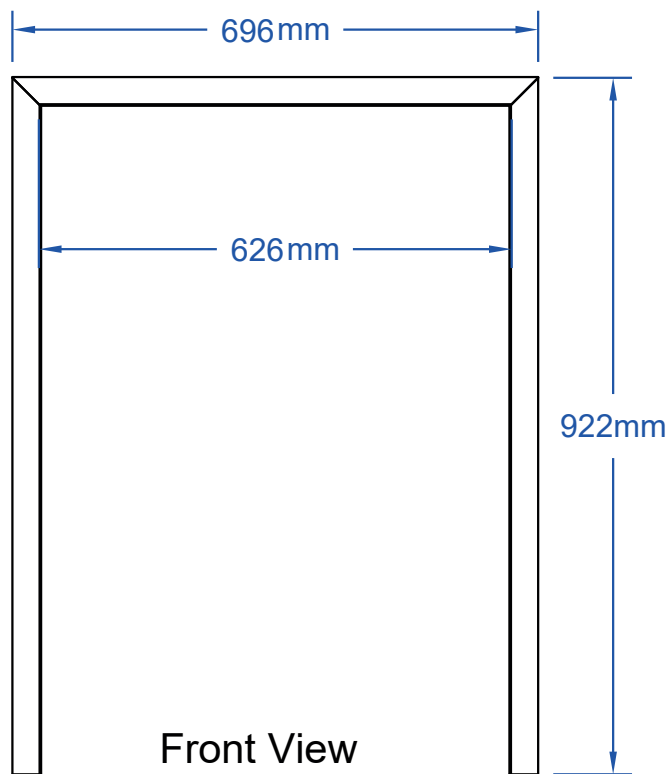




ITEM: #KEGORATOR FINISHING FRAME



Isometric View



SPEC SHEET NOTES:

1. CUTOUT DIMENSIONS : 630L X 40D X 890H
2. SCALE: 1 : 10( Printer page scaling none, do not use fit to printable area option)
3. REVISION: 07/2018