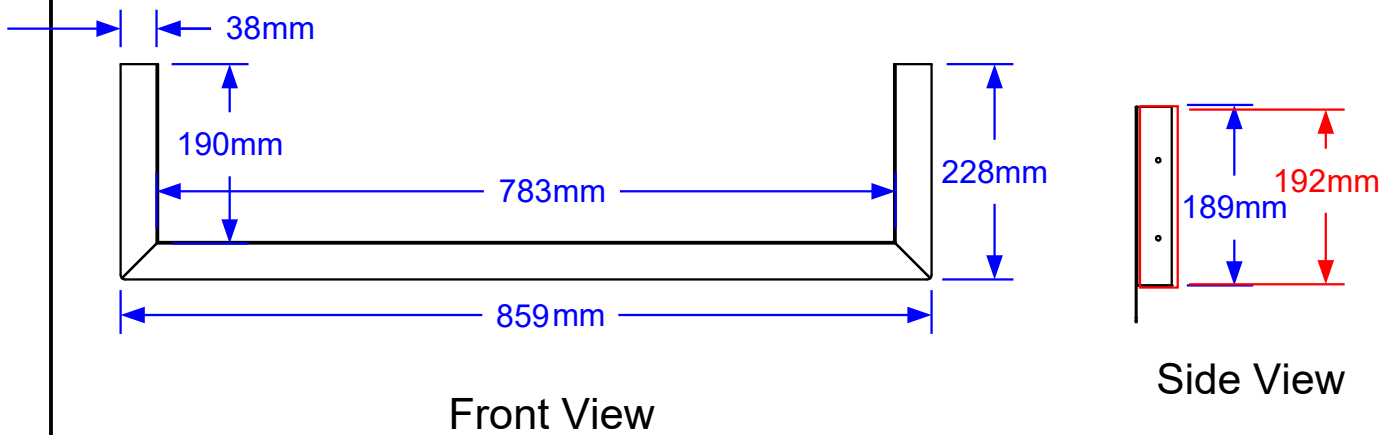
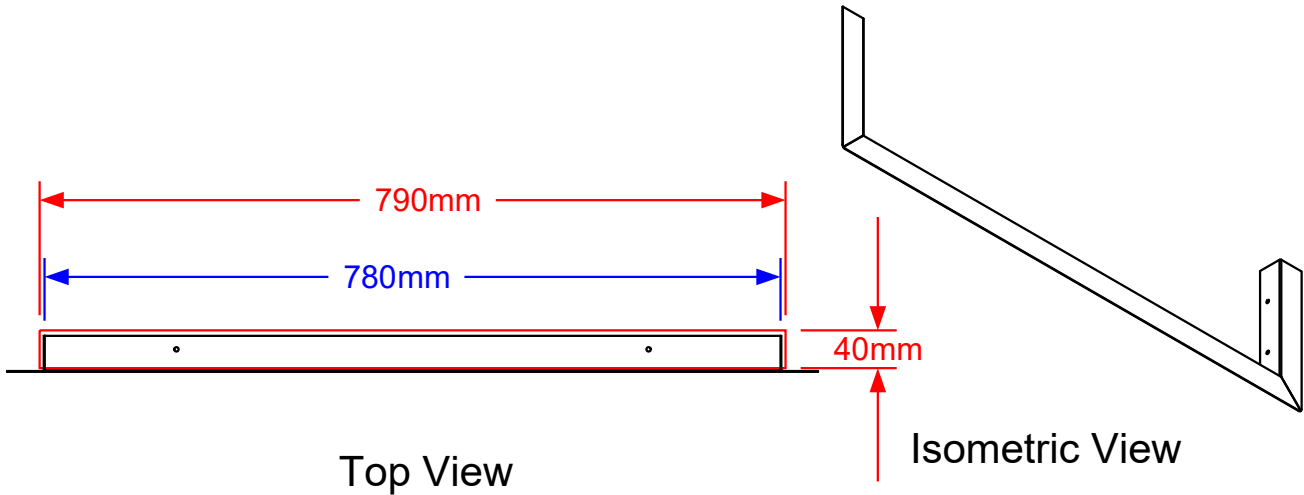




ITEM: #49328

790MM ANGUS, LONSTER FINISHING FRAME



SPEC SHEET NOTES:

1. **CUTOUT DIMENSIONS: 790L X 40D X 192H**
2. SCALE: 1 : 8 (Printer page scaling none, do not use fit to printable area option)
3. REVISION: 07/2018