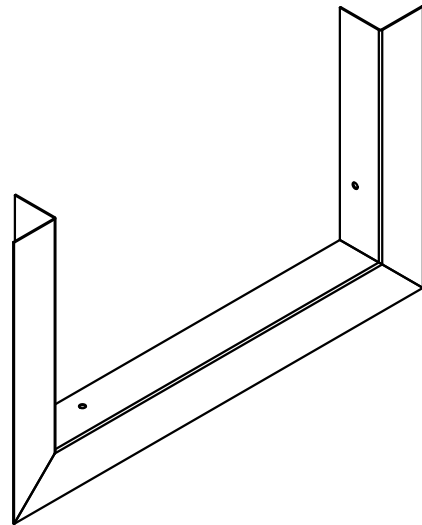
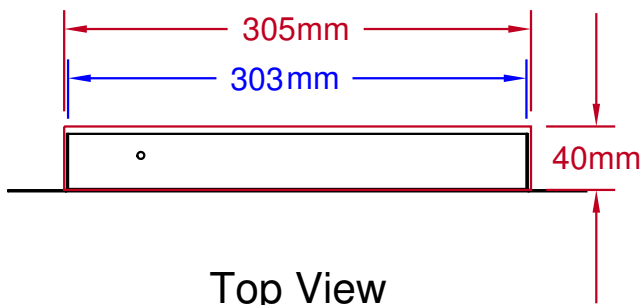
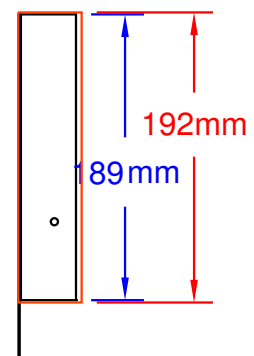
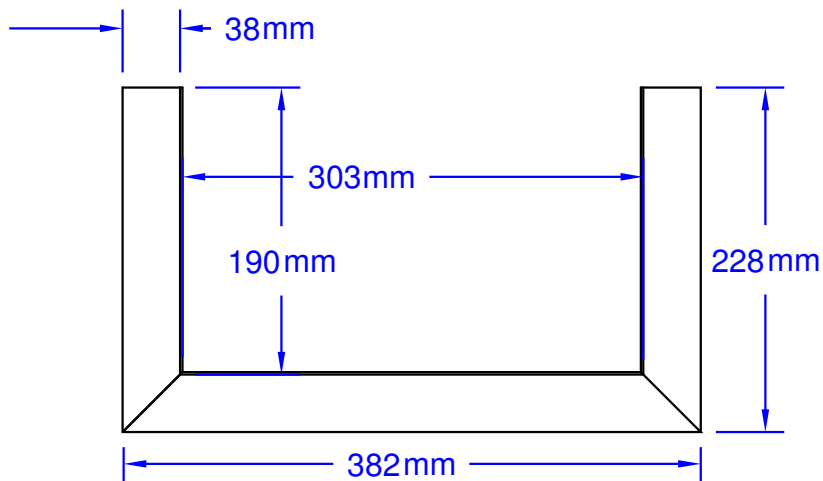




ITEMS: #93007  
SLIDE IN SIDE BURNER FINISHING FRAME



Isometric View



SPEC SHEET NOTES:

1. **CUTOUT DIMENSIONS: 305L X 40D X 192H**
2. SCALE: 1 : 5 ( Printer page scaling none, do not use fit to printable area option )
3. REVISION: 10/2018