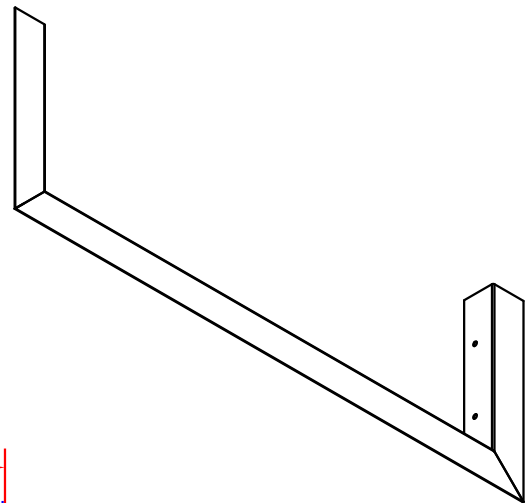
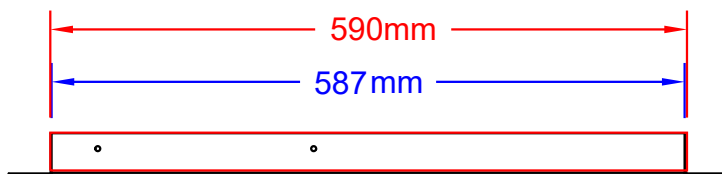




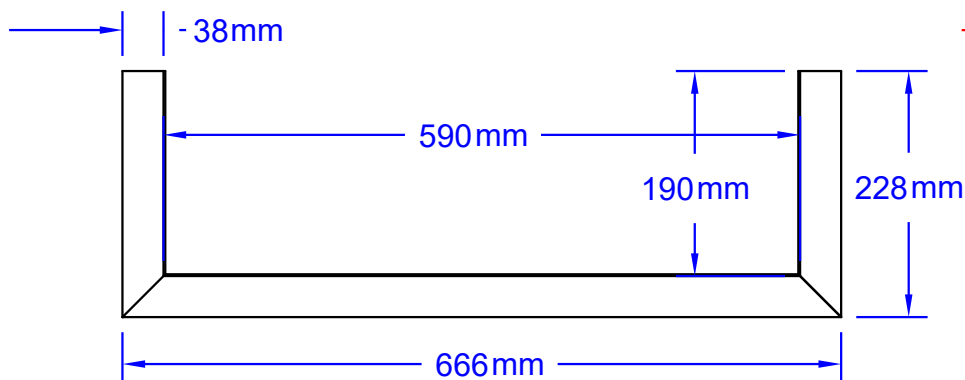
ITEM: #97001
PLANCHA FINISHING FRAME



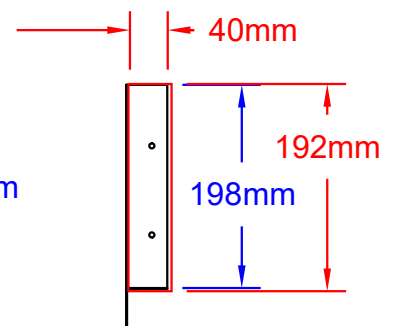
Isometric View



Top View



Front View



Side View

SPEC SHEET NOTES:

1. **CUTOUT DIMENSIONS: 590L X 40D X 192H**
2. SCALE: 1 : 7 (Printer page scaling none, do not use fit to printable area option)
3. REVISION: 07/2018