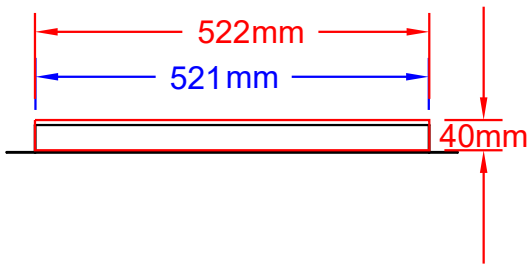
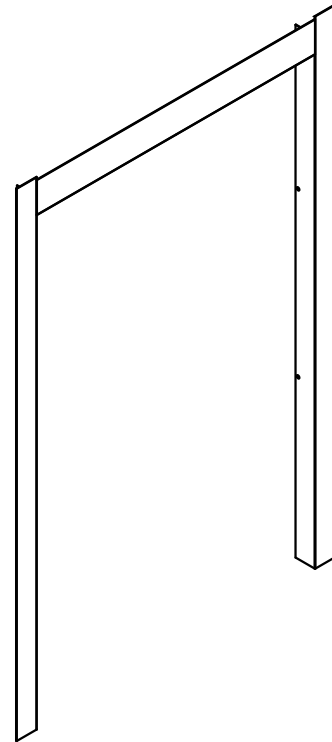




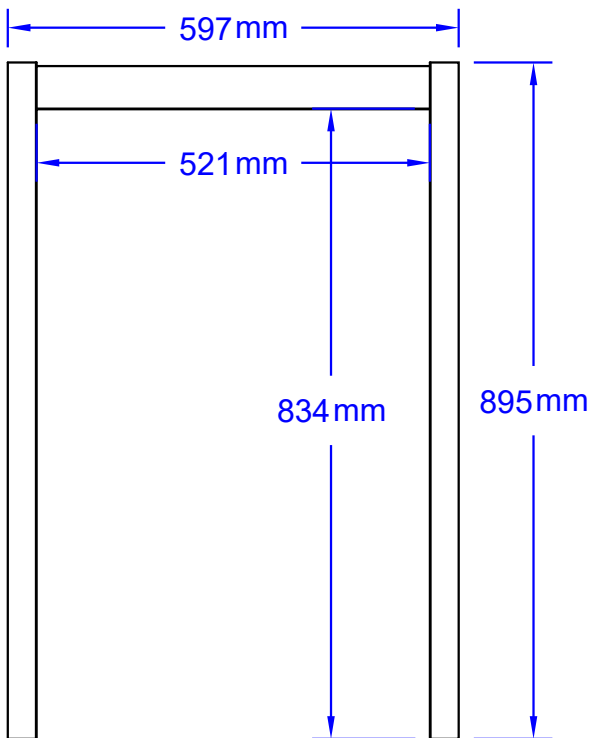
ITEMS: #99935
STANDARD REFRIGERATOR FRAME



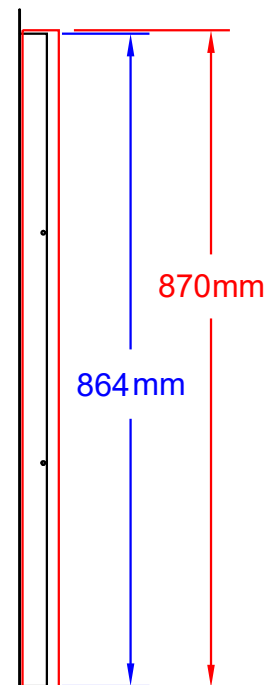
Top View



Isometric View



Front View



Side View

SPEC SHEET NOTES:

1. CUT DIMENSION 522L X 40D X 870H
2. SCALE: 1 : 10 Printer page scaling none, do not use fit to printable area option
3. REVISION: 07/2018