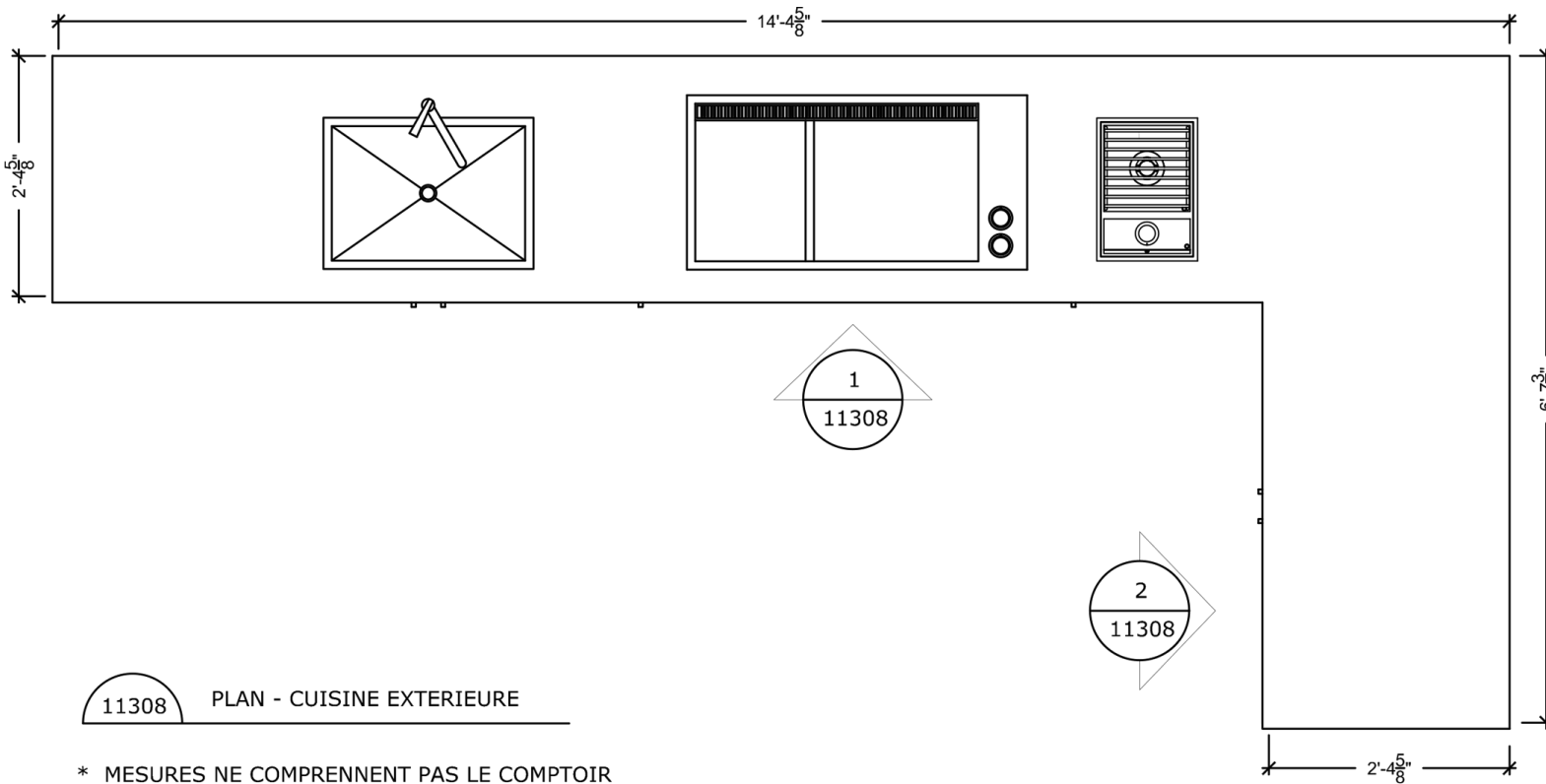


URBAN
Bonfire[™]
URBAIN



Urban Bonfire[™]

DESIGN 11308
PRIVATE RESIDENCE (MASDORS)



Urban Bonfire

3700 RUE SAINT-PATRICK
 SUITE #110
 MONTRÉAL, QC. H4E 1A2
 514.932.8227
DESIGN@URBANBONFIRE.COM
WWW.URBANBONFIRE.COM

PROJECT
 PRIVATE RESIDENCE
 (MASDORS)

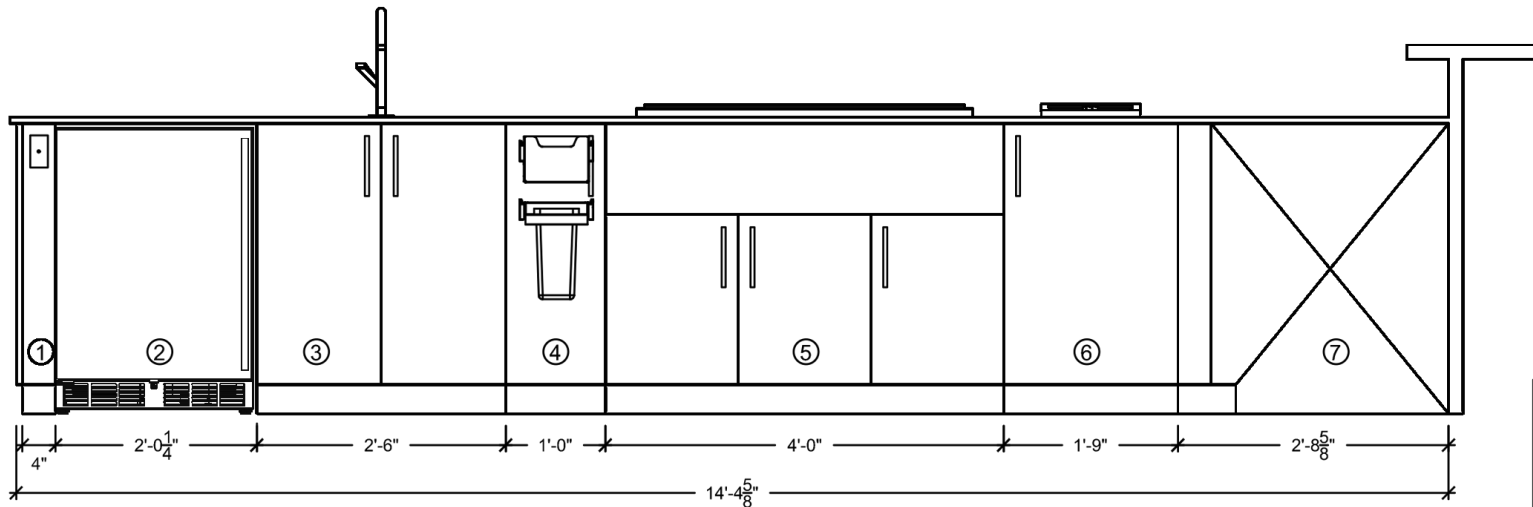
DESIGN NUMBER
 11308

DETAILS
 DRAWING

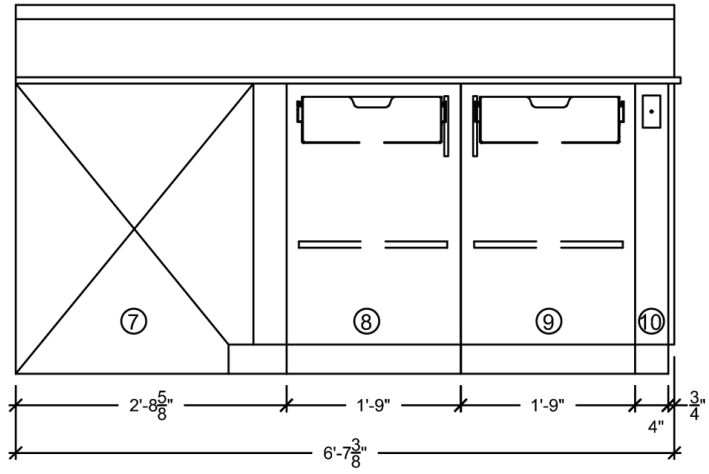
DATE
 28/05/2019

APPROVED BY:

DATE:



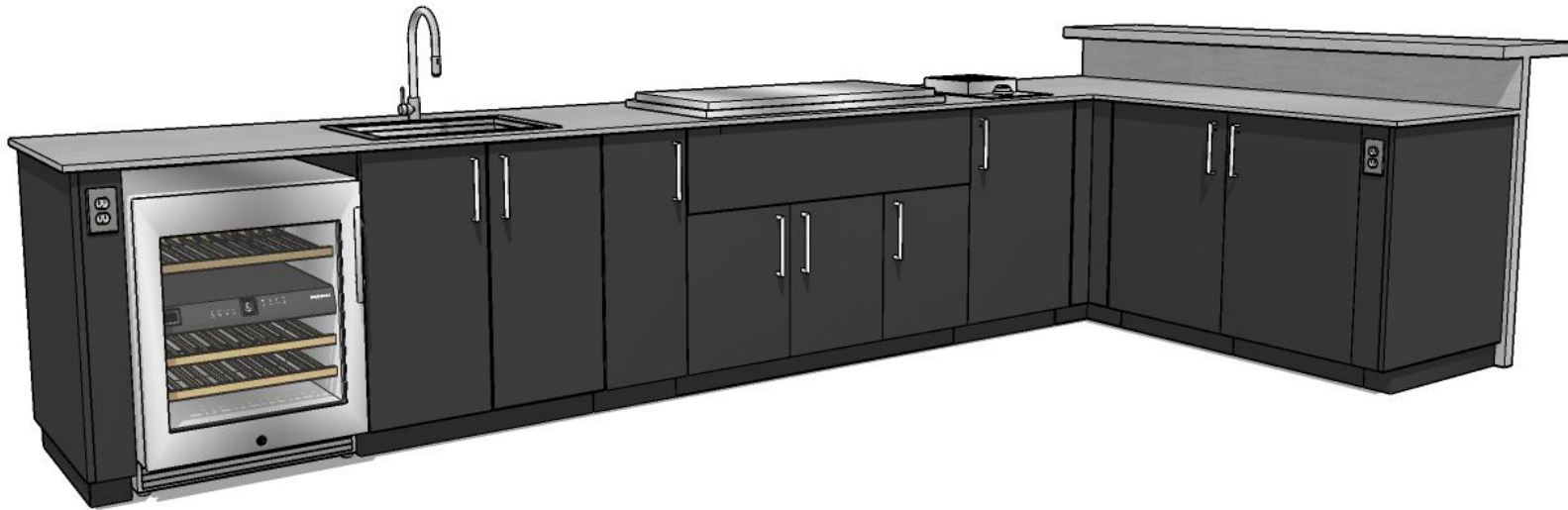
1 ELEVATION - CUISINE EXTERIEURE
11308



2 ELEVATION - CUISINE EXTERIEURE
11308

<p>Urban Bonfire</p> <p>3700 RUE SAINT-PATRICK SUITE #110 MONTRÉAL, QC. H4E 1A2 514.932.8227 DESIGN@URBANBONFIRE.COM WWW.URBANBONFIRE.COM</p>
<p>PROJECT PRIVATE RESIDENCE (MASDORS)</p>
<p>DESIGN NUMBER 11308</p>
<p>DETAILS DRAWING</p>
<p>DATE 28/05/2019</p>

APPROVED BY: _____
DATE: _____



Urban Bonfire

3700 RUE SAINT-PATRICK
SUIITE #110
MONTREAL, QC. H4E 1A2
514.932.8227

DESIGN@URBANBONFIRE.COM
WWW.URBANBONFIRE.COM

PROJECT
PRIVATE RESIDENCE
(MASDORS)

DESIGN NUMBER
11308

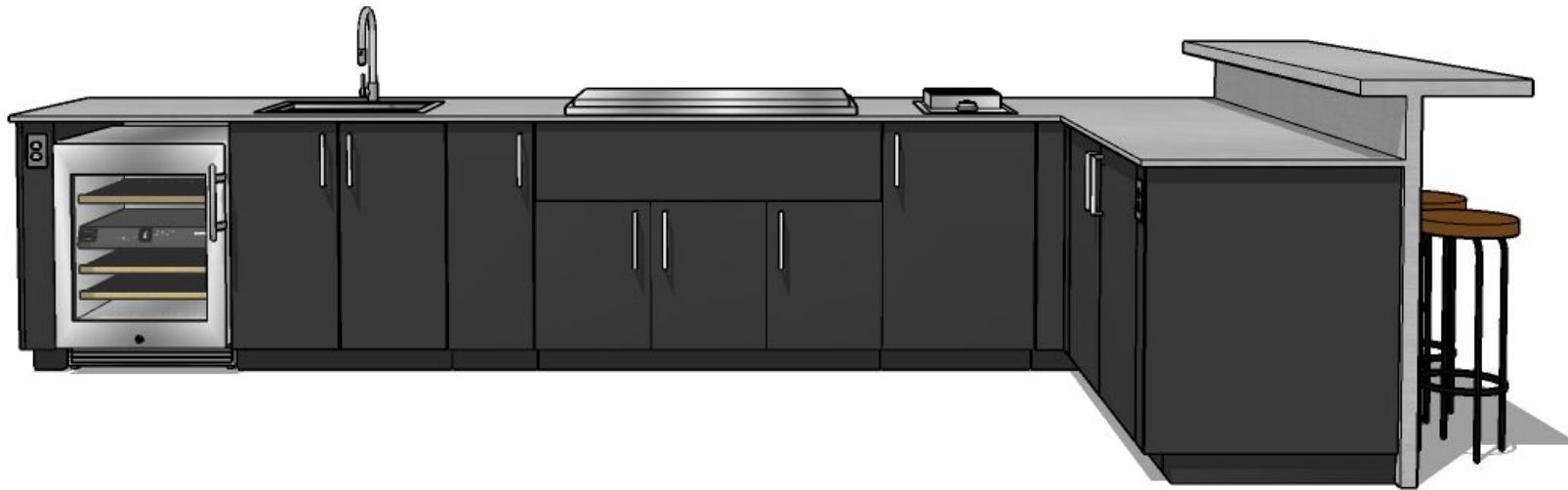
DETAILS
RENDERING

DATE
28/05/2019

APPROVED BY:

DATE:

COUNTERTOP AND EQUIPMENT INCLUDED FOR AESTHETIC PURPOSES ONLY. NOT INCLUDED IN QUOTE.
POWDER COATING COLORS DIGITALLY RENDERED. ACTUAL PRODUCT MAY VARY.



Urban Bonfire

3700 RUE SAINT-PATRICK
SUITE #110
MONTRÉAL, QC. H4E 1A2
514.932.8227

DESIGN@URBANBONFIRE.COM
WWW.URBANBONFIRE.COM

PROJECT

PRIVATE RESIDENCE
(MASDORS)

DESIGN NUMBER

11308

DETAILS

RENDERING

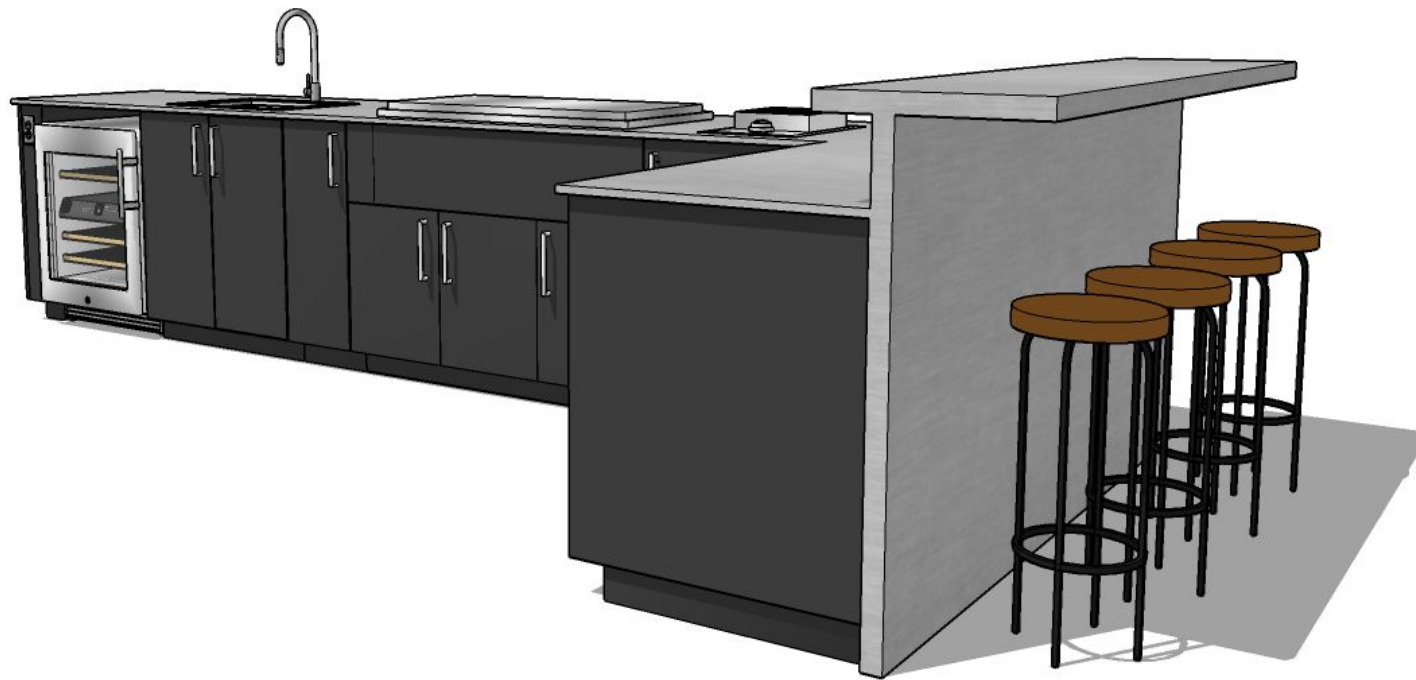
DATE

28/05/2019

APPROVED BY:

DATE:

COUNTERTOP AND EQUIPMENT INCLUDED FOR AESTHETIC PURPOSES ONLY. NOT INCLUDED IN QUOTE.
POWDER COATING COLORS DIGITALLY RENDERED. ACTUAL PRODUCT MAY VARY.



Urban Bonfire

3700 RUE SAINT-PATRICK
SUITE #110
MONTRÉAL, QC. H4E 1A2
514.932.8227

DESIGN@URBANBONFIRE.COM
WWW.URBANBONFIRE.COM

PROJECT
PRIVATE RESIDENCE
(MASDORS)

DESIGN NUMBER
11308

DETAILS
RENDERING

DATE
28/05/2019

APPROVED BY:

DATE:

COUNTERTOP AND EQUIPMENT INCLUDED FOR AESTHETIC PURPOSES ONLY. NOT INCLUDED IN QUOTE.
POWDER COATING COLORS DIGITALLY RENDERED. ACTUAL PRODUCT MAY VARY.

Standard Inclusions

Built with high quality materials, completely customizable, with fast and simple installation. Urban Bonfire kitchen systems are designed to fit the needs of anyone, no matter what their project might be.

Every Urban Bonfire kitchen cabinet includes the following standard features and arrives fully assembled and ready to install.

MARINE-GRADE ALUMINIUM

Thick gauge aluminium construction

CANADIAN MADE

Proudly designed, tested and manufactured in Canada

304 STAINLESS HARDWARE

304 stainless steel interior hardware

WEATHER / BUG RESISTANT

Engineered to withstand most climate and weather conditions

PROTECTIVE FINISHES

Full interior and exterior electrostatic powder coating for color, style and protection from the elements

DESIGN

Developed in collaboration with renowned North American designers

RIGID STRUCTURE

Rigid cabinet structure designed to support most countertop materials and cooking equipment

INTEGRATED TOE KICK

Each cabinet equipped with a self-levelling toe kick

SAFE

Made entirely of non-combustible materials

CUSTOMIZATION

Fully customized system allows for easy accessorization, upgrades and expansion

COMPATIBILITY

Compatible with all major grill and outdoor cooking brands

WARRANTY

Ten-year limited warranty



Personalize

We offer a curated selection of colors, hardware design, accessories and material options to allow for full creativity in the layout, functionality and appearance of every custom kitchen.

Powder Coating & Colors



ANTHRACITE



ONYX



ARTESAN



CHANTILLY

Handles



STAINLESS
(INCLUDED)

Solid Bronze Upgrades



PULL
(341)



URBAN
(337)



BAUHAUS
(3312)

Bronze Handle Finish Options



BLACK BRONZE
(BZ)



WHITE BRONZE
(WL)



LIGHT BRONZE
(LT)

Cabinet Interiors

Designed to maximize both the space and functionality of each cabinet, our universal track system integrates seamlessly with fixed shelves, Kamado accessory racks, pull-out drawers, a retractable garden hose and a garbage/recycling system.

RETRACTABLE GARDEN HOSE



KAMADO ACCESSORY RACK



GARBAGE/RECYCLING SYSTEM



PULL-OUT DRAWERS



FLUSH MOUNT DRAWERS



FIXED SHELVES



WWW.URBANBONFIRE.COM

DESIGN@URBANBONFIRE.COM

+1 514.932.8227

3700 SAINT-PATRICK,
SUITE #110, MONTREAL , QC, CANADA ,
H4E 1A2