

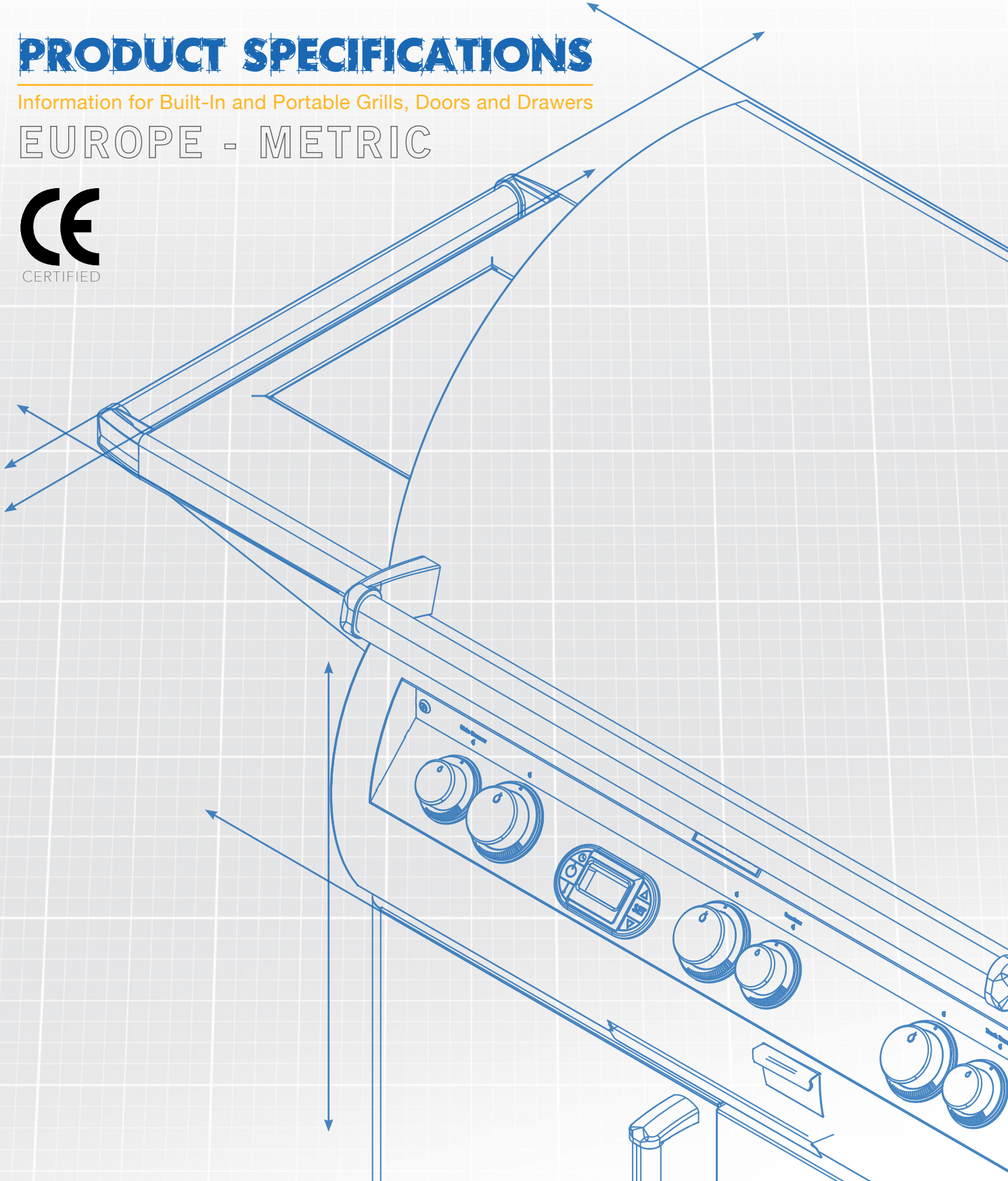


BUILT WITH PASSION.
OWNED WITH PRIDE.

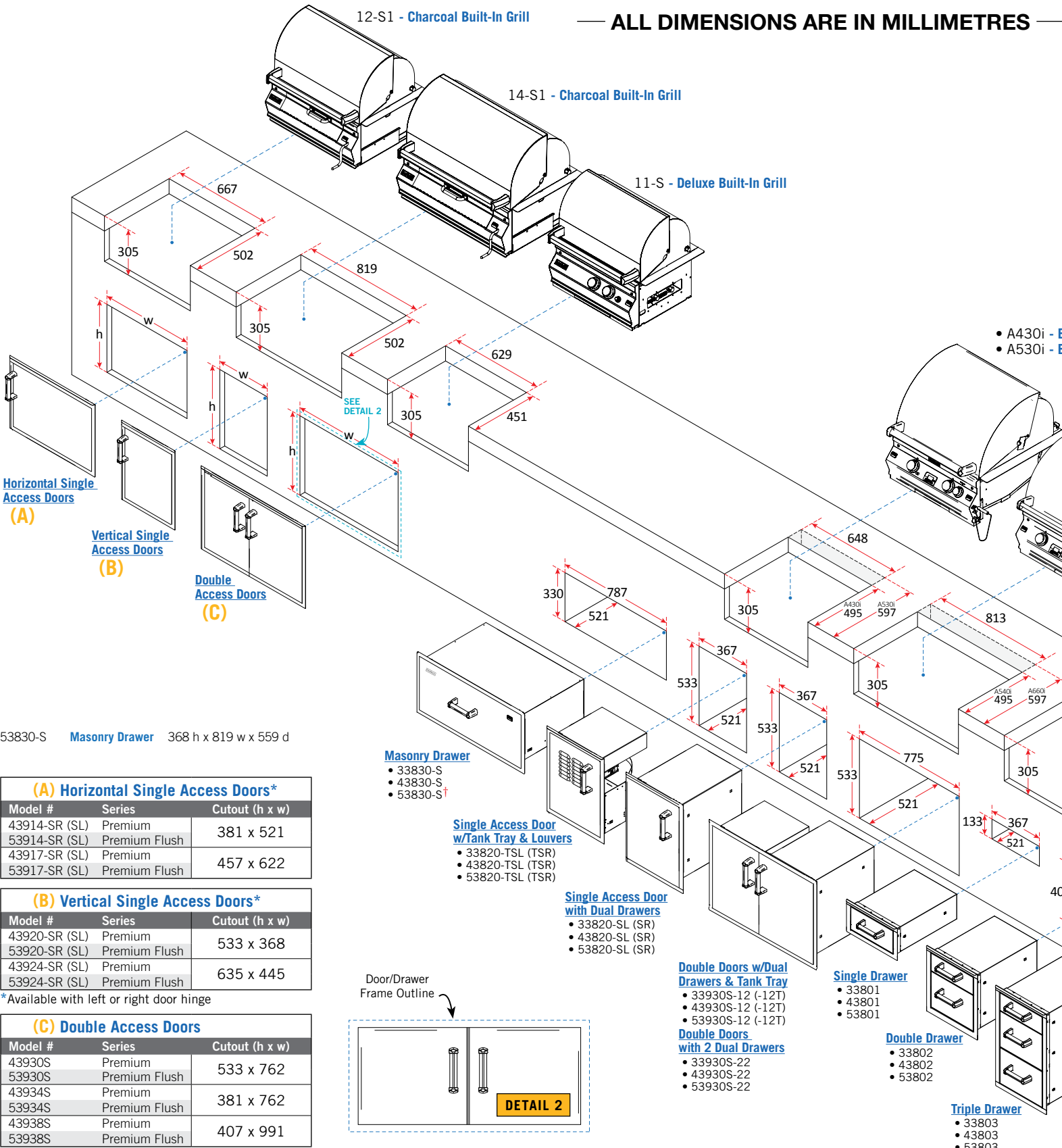
PRODUCT SPECIFICATIONS

Information for Built-In and Portable Grills, Doors and Drawers

EUROPE - METRIC



— ALL DIMENSIONS ARE IN MILLIMETRES —



† 53830-S **Masonry Drawer** 368 h x 819 w x 559 d

(A) Horizontal Single Access Doors*

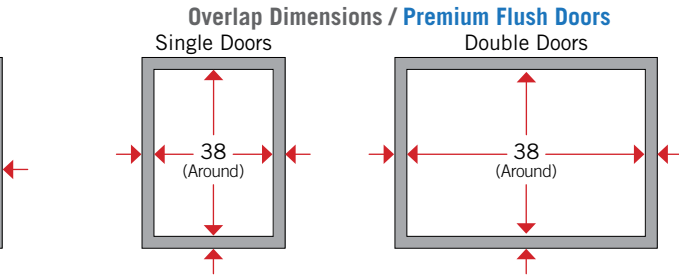
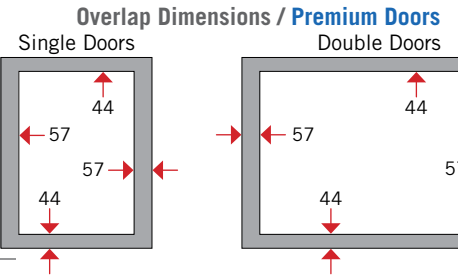
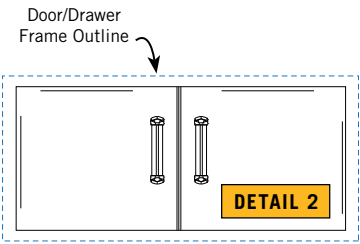
Model #	Series	Cutout (h x w)
43914-SR (SL)	Premium	381 x 521
53914-SR (SL)	Premium Flush	381 x 521
43917-SR (SL)	Premium	457 x 622
53917-SR (SL)	Premium Flush	457 x 622

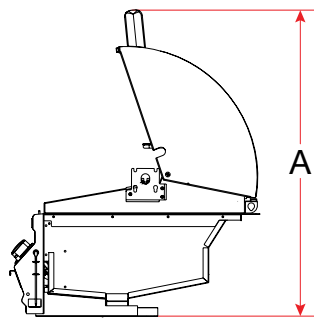
(B) Vertical Single Access Doors*

Model #	Series	Cutout (h x w)
43920-SR (SL)	Premium	533 x 368
53920-SR (SL)	Premium Flush	533 x 368
43924-SR (SL)	Premium	635 x 445
53924-SR (SL)	Premium Flush	635 x 445

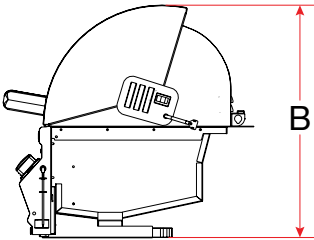
(C) Double Access Doors

Model #	Series	Cutout (h x w)
43930S	Premium	533 x 762
53930S	Premium Flush	533 x 762
43934S	Premium	381 x 762
53934S	Premium Flush	381 x 762
43938S	Premium	407 x 991
53938S	Premium Flush	407 x 991





A



B

Description	Hood Open	Hood Closed
	(A)	(B)
Echelon E1060i	905	686
Echelon E790i	905	686
Echelon E660i	905	686
Aurora A830i	819	641
Aurora 790i	905	686
Aurora A660i	905	686
Aurora A540i	819	641
Aurora A530i	905	686
Aurora A430i	819	641
Deluxe 11-S	756	638
Gourmet Charcoal 14-S1	806	673
Gourmet Charcoal 12-S1	806	673

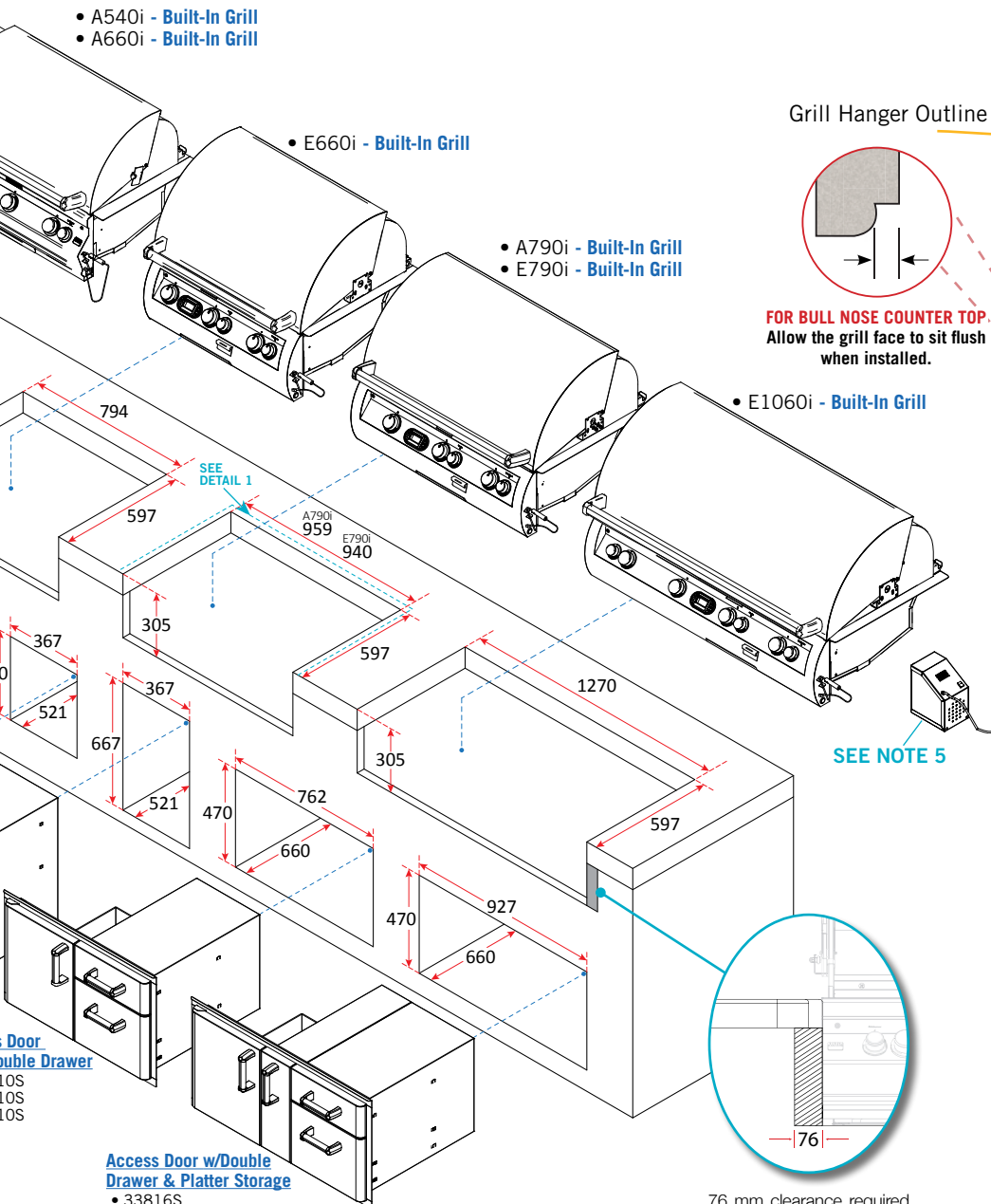
Built-In Grill
Built-In Grill

- A540i - Built-In Grill
- A660i - Built-In Grill

- E660i - Built-In Grill

- A790i - Built-In Grill
- E790i - Built-In Grill

- E1060i - Built-In Grill



Door
Double Drawer

LOS
LOS
LOS

Access Door w/Double
Drawer & Platter Storage

- 33816S
- 43816S
- 53816S

76 mm clearance required (on both sides) for access to battery compartment when using material that extends out from island surface.

OUTDOOR KITCHEN CONSIDERATIONS

- Carefully consider grill size & accessories needed
- Combustible construction requires insulating liner
- Select Natural or Propane (LP gas)
- Determine total gas consumption for supply line size
- Access is required to gas connections and shut off valve
- Plan location of propane tank away from grill and appliances
- Always refer to the installation and operating instructions of your Fire Magic® grill and/or accessories for installation guidelines & safety warnings before starting your project
- Always check all gas connections for leaks
- Provide ventilation in island for gas vapors. Allow at least four ventilation openings (two at floor level and two 406 mm above floor 6452 mm² each) at opposing ends/sides

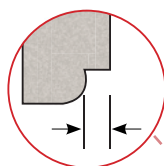
LOCATION

- Identify outdoor area where grill will be installed
 - Determine the utilities needed (gas, water, electricity, drainage etc.)
 - Consider element exposure (sun, wind direction*, weather etc.)
- * Wind blowing into or across the rear oven lid vent can cause poor performance and/or dangerous overheating. Orient the grill so that the prevailing wind blows toward the front of the grill.

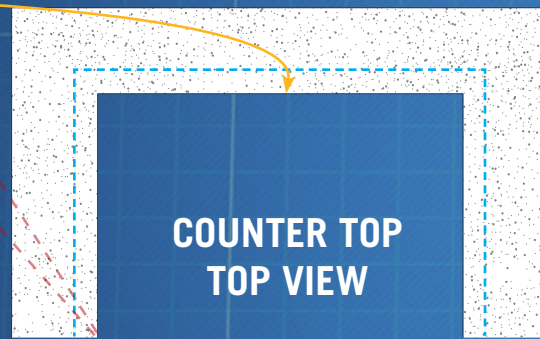
MATERIALS

- Foundation - concrete
- Base- brick, stone, stucco, concrete
- Counter top- tile, granite, marble, concrete

Grill Hanger Outline



FOR BULL NOSE COUNTER TOP
Allow the grill face to sit flush when installed.



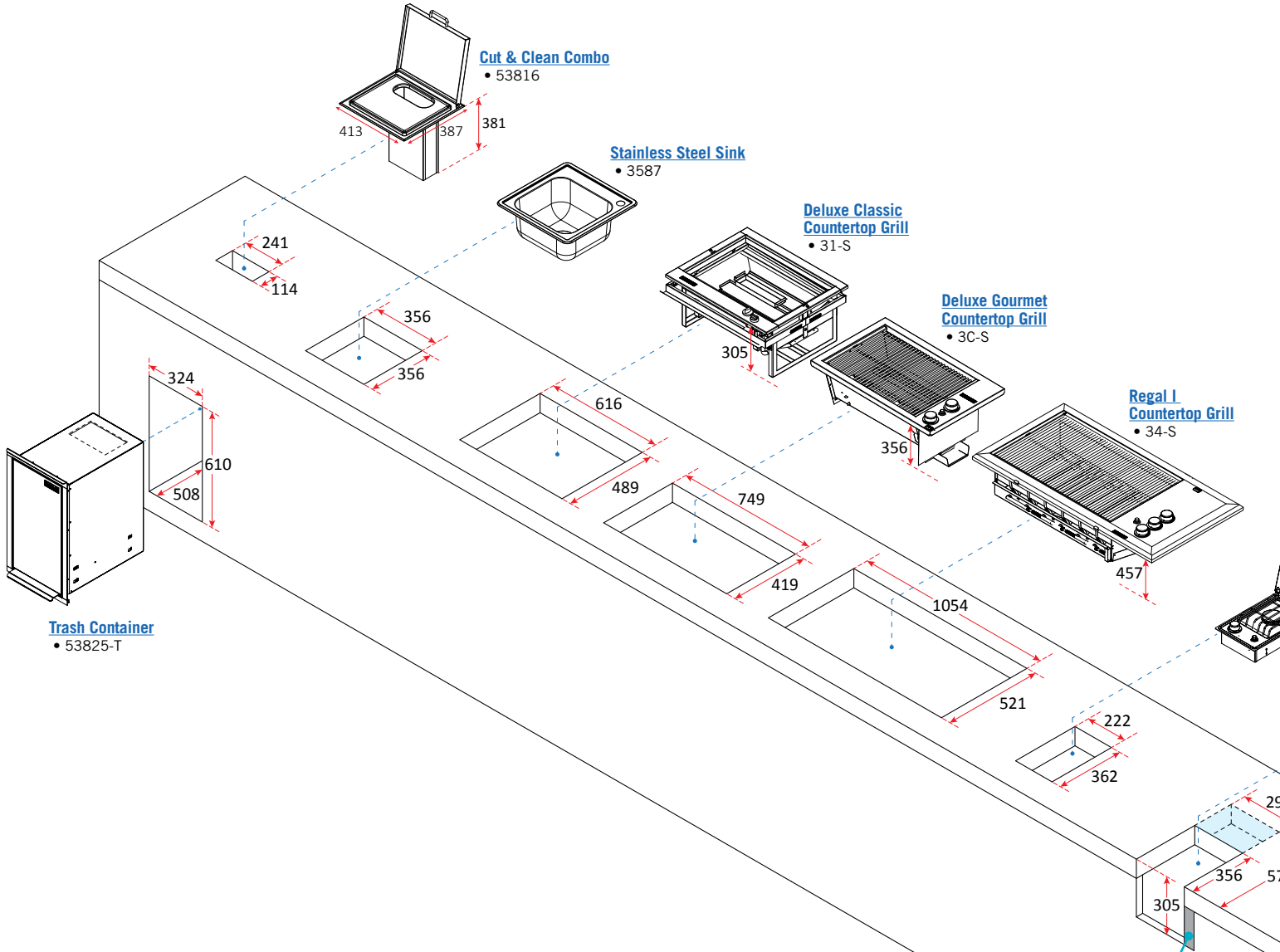
DETAIL 1

Grill hanger varies in width (64 mm-76 mm) depending on the size & configuration of the grill.

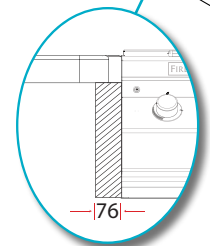
Notes

1. There is a hanger on three sides of each grill. You must allow clearance for the hanger (SEE DETAIL 1).
2. The control panel (face) of the grills is wider than the cutout width. This conceals the cutout space on the left & right hand sides.
3. Clearance of 254 mm on each side of the oven is recommended for unrestricted operation of lid and rotisserie and at least 76 mm at the rear flange for ease of maintenance and proper operation. (457 mm from combustible surroundings on each side and rear is required)
4. Insulating liners must be used & are available for combustible surrounds (See page 6).
5. The rotisserie motor on all models is located on the right side of the grill. Optional Reverse Brackets are available to mount rotisserie motor on opposite side. ONLY units ordered with back burner option come with rotisserie kit and brackets.

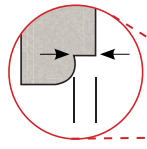
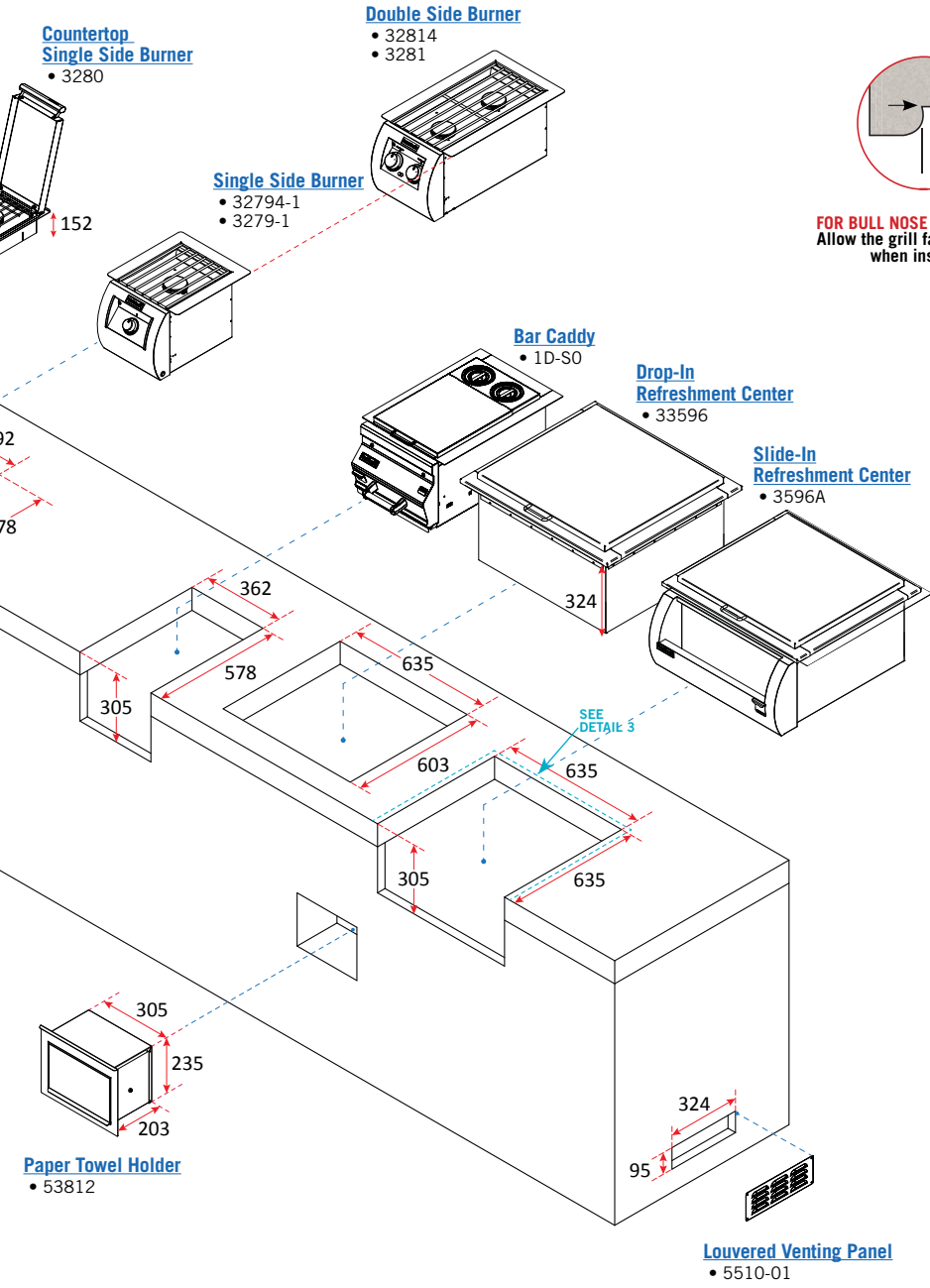
— ALL DIMENSIONS ARE IN MILLIMETRES —



CLASSIC CHARCOAL BUILT-IN GRILLS				
Model #	Description	Opening Required		
		Width	Depth	Height
3334	Lift-A-Fire Charcoal Grill	820	502	305
3339	Lift-A-Fire Charcoal Grill	629	451	305
3324	Firemaster 3324 Grill	794	540	305
3329	Firemaster 3329 Grill	616	489	305



76 mm clearance required (on both sides) for access to battery compartment when using material that extends out from island surface.

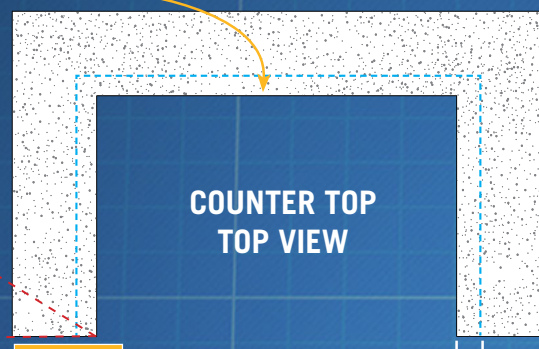


FOR BULL NOSE COUNTERTOP
Allow the grill face to sit flush when installed.

Notes

1. There is a hanger on three sides of the grill (**SEE DETAIL 3**).
2. The control panel (face) of the accessories is **wider** than the cutout width. This conceals the cutout space on the left & right hand sides.
3. Clearance of 254 mm on each side, and 76 mm at the rear of the oven is recommended for unrestricted operation of accessories. (457 mm from combustible surroundings on each side and rear)
4. Insulating liners must be used and are available for combustible surrounds. Double Side burner (3281), Single Side burner (3279-1) and Drop-In Side burner (3280) do not require an insulating liner (See page 6).

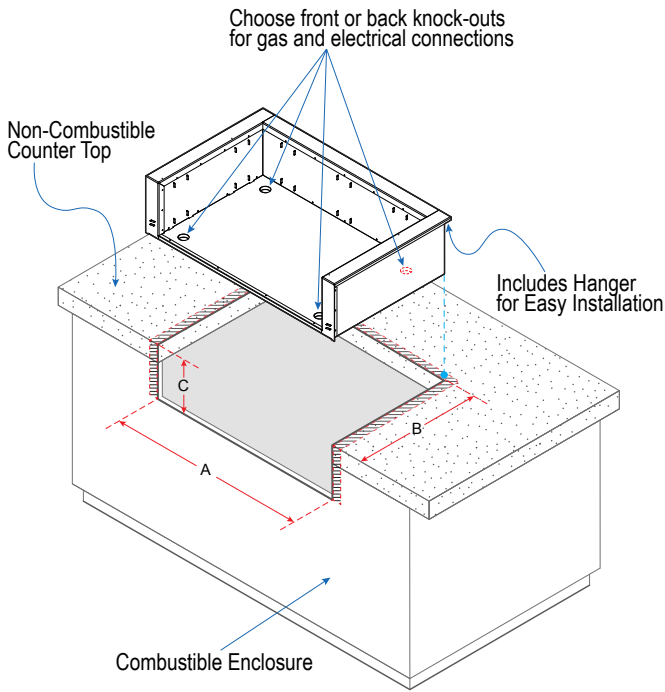
Accessory Hanger Outline



Accessory hanger varies in width (51 - 64 mm **ALL AROUND**) depending on the size & configuration of the accessory.

INSULATING LINER MUST BE USED WHEN INSTALLING IN A COMBUSTIBLE ISLAND

Not used on Double Sideburner (3281), Single Sideburner (3279-1) or Drop-In Sideburner (3280)



**INSULATING LINER CUT-OUT DIMENSIONS
(ECHELON & AURORA GRILLS)**

Grill Model	Insulating Liner Part #	Opening Required		
		Width (A)	Depth (B)	Height (C)
Echelon E1060i	3185-51	1403	667	311
Echelon E790i	3186-51	1080	667	311
Echelon E660i	3176-51	940	667	311
Aurora A790i	3186-51	1080	667	311
Aurora A660i	3176-51	940	667	311
Aurora A540i	23150-51	940	565	311
Aurora A530i	23125-51	772	667	311
Aurora A430i	23130-51	772	565	311

Maintain proper clearance to combustable materials.

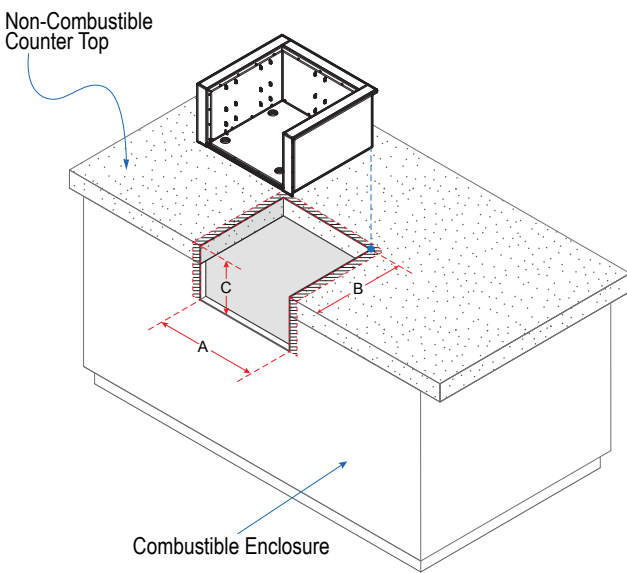
Notes:

1. A nominal 2 mm gap around the back and sides of the liner is recommended for ease of installation.
2. A minimum of 64516 mm² in air ventilation is required at cabinet face.

To install and operate the FireMagic® outdoor gas appliance, please refer to the Installation and Operating instructions and safety precautions shipped with the appliance.

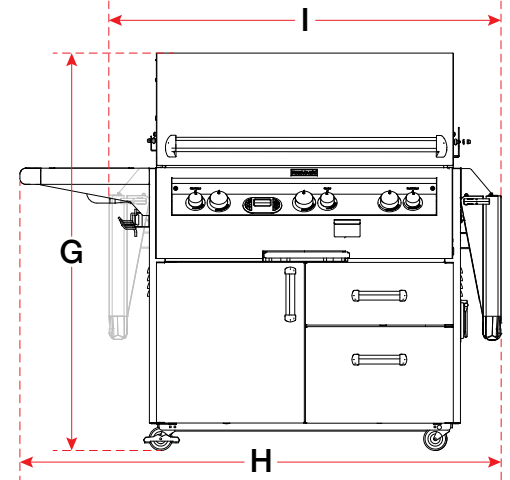
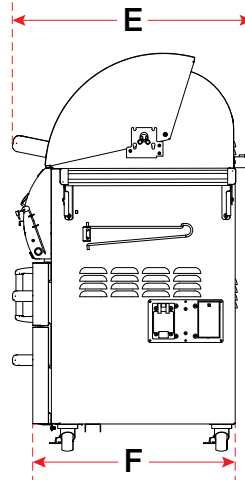
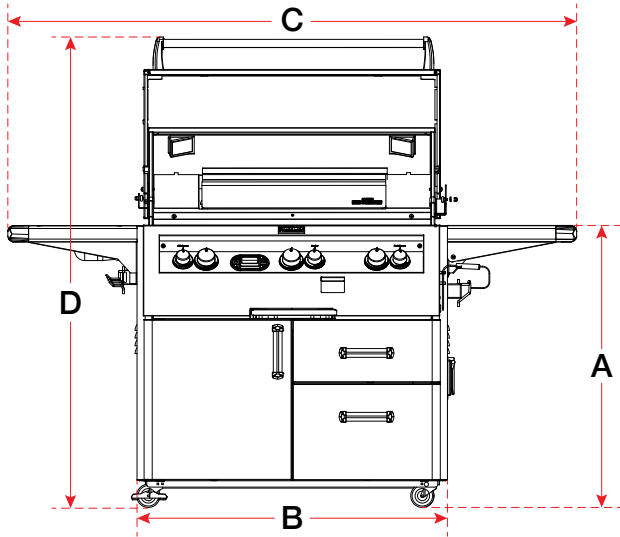
**INSULATING LINER CUT-OUT DIMENSIONS
(LEGACY DELUXE GRILL)**

Product Model	Insulating Liner Part #	Opening Required		
		Width (A)	Depth (B)	Height (C)
Deluxe	3100-51	721	502	311



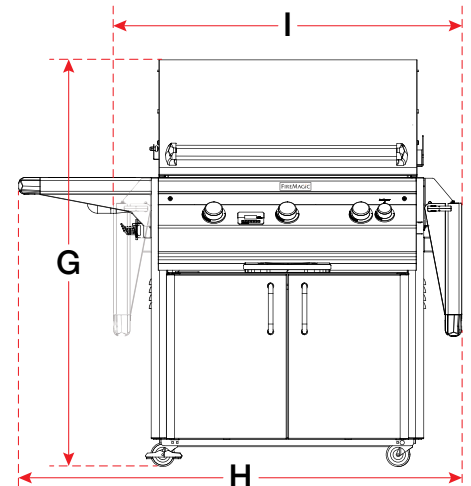
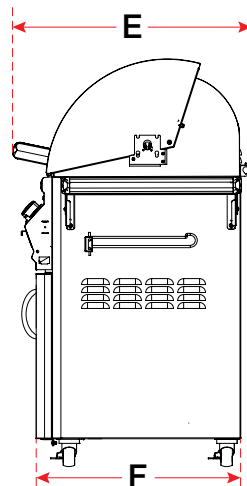
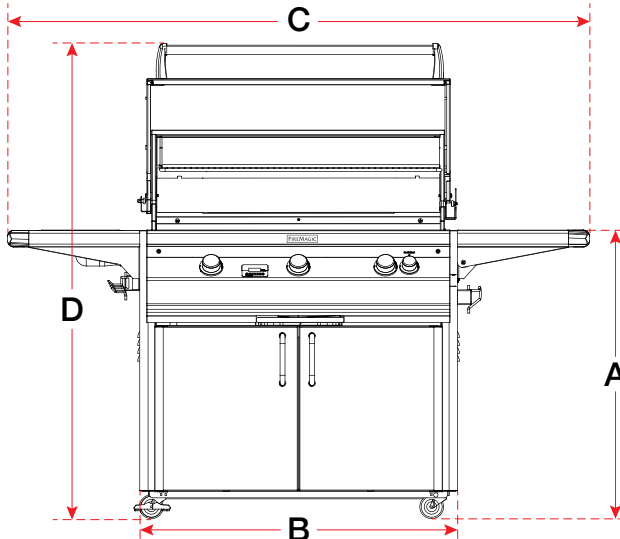
The information provided is for reference only. Detailed instructions are supplied with the insulation liner, unique to the model selected. Read those instructions carefully and completely before starting installation of the liner.

ECHELON PORTABLE GRILLS



Grill Model #	Series	Top of Shelf height	Cart Base width	Shelves Up width	Oven Open height	Max Outer depth	Cart Base depth	Oven Closed height	1-Up/1-Down width	Shelves Down width
		(A)	(B)	(C)	(D)	(E)	(F)	(G)	(H)	(I)
E1060s	62	940	1346	2191	1540	756	660	1321	1695	n/a
E1060s	51	940	1975	2819	1540	756	660	1321	2381	n/a
E790s	62	940	1016	1861	1540	756	660	1321	1518	n/a
E790s	71	940	1492	2337	1540	756	660	1321	2051	n/a
E660s	62	940	870	1715	1540	756	660	1321	1422	n/a
E660s	71	940	1346	2191	1540	756	660	1321	1956	n/a

AURORA/CHOICE PORTABLE GRILLS



Grill Model #	Series	Top of Shelf height	Cart Base width	Shelves Up width	Oven Open height	Max Outer depth	Cart Base depth	Oven Closed height	1-Up/1-Down width	Shelves Down width
		(A)	(B)	(C)	(D)	(E)	(F)	(G)	(H)	(I)
A660s	61/62	940	826	1581	1540	756	660	1321	1321	1054
A540s	61/62	940	826	1581	1454	654	552	1270	1321	1054
A430s	61/62	940	660	1416	1454	654	552	1270	1156	895

FireMagic® Outdoor Grill Warranty Highlights

Lifetime Warranty

CAST STAINLESS STEEL BURNERS, STAINLESS STEEL ROD COOKING GRIDS, AND STAINLESS STEEL HOUSINGS ARE WARRANTED FOR AS LONG AS YOU OWN YOUR FIREMAGIC® GRILL.

Fifteen Year Warranty

BRASS VALVES, MANIFOLD ASSEMBLIES, INNER LINERS AND BACKBURNER ASSEMBLIES (EXCEPT IGNITION SYSTEMS) ARE WARRANTED FOR FIFTEEN (15) YEARS.

Five Year Warranty

FLAVOR GRIDS, STAINLESS STEEL CHARCOAL GRILLS AND SMOKER HOUSINGS ARE WARRANTED FOR (5) YEARS.

Three Year Warranty

SIDE BURNERS AND ALL OTHER FIRE MAGIC® GRILL COMPONENTS (EXCEPT IGNITION SYSTEMS AND ELECTRICAL PARTS) ARE WARRANTED FOR THREE (3) YEARS.

One Year Warranty

IGNITION SYSTEMS (EXCLUDING BATTERIES), ELECTRICAL COMPONENTS (INCLUDING LIGHTS AND THERMOMETER), GRILL ACCESSORIES AND SMOKER COMPONENTS ARE WARRANTED FOR ONE (1) YEAR.

FIRE MAGIC® RESERVES THE RIGHT TO AMEND PRODUCT SPECIFICATIONS WITHOUT PRIOR NOTICE.

The information provided in this document is for reference purposes only. Detailed instructions & specifications unique to the product purchased can be found in the Owner's Manual. Read those instructions carefully and completely before attempting installation of any FireMagic® Outdoor Grill product.