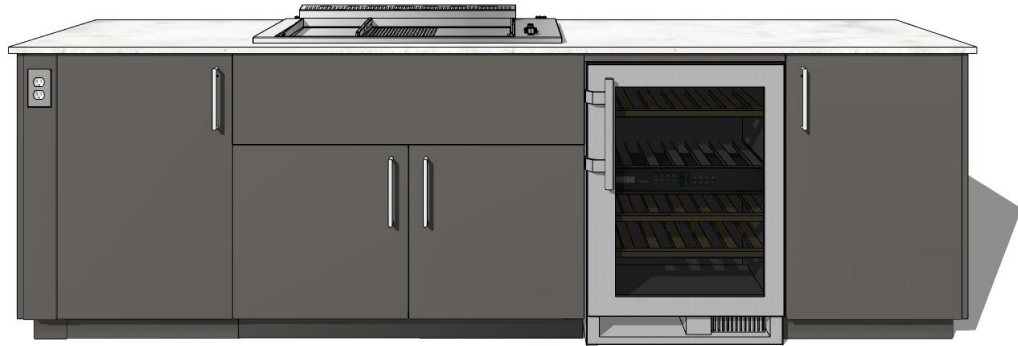
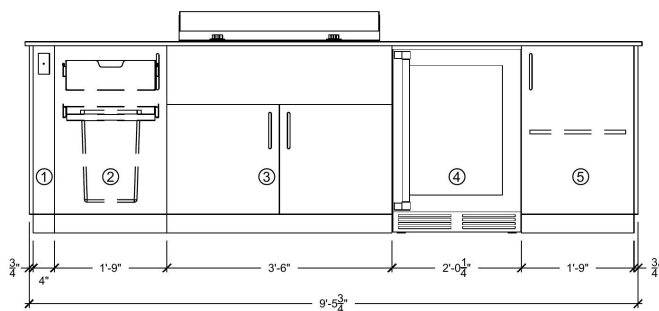


URBAN
Bonfire[™]
 URBAIN

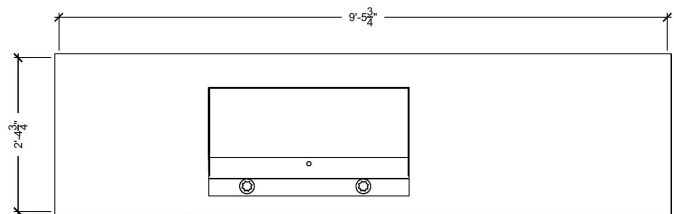


EVERY URBAN BONFIRE[™] OUTDOOR KITCHEN DESIGN INCLUDES:

- Thick Marine Grade Aluminum Construction
- Full Interior and Exterior Electrostatic Powder Coating
- Adjustable Commercial Grade 304 Stainless Steel Leveling Legs
- Matching Powder Coated Integrated Self-Leveling Toe Kick
- Compatibility with all Major Grill Brands and Outdoor Cooking Accessories
- Compatibility with Dekton, Sensa and Most Outdoor Countertop Surfaces
- 304 Stainless Steel Handles and Interior Hardware
- Ten-Year Limited Warranty



SO1220 HABITAT & JARDIN 2020 OUTDOOR KITCHEN ELEVATION



SO1220 HABITAT & JARDIN 2020 OUTDOOR KITCHEN PLAN

DESIGN CONSIDERATIONS:

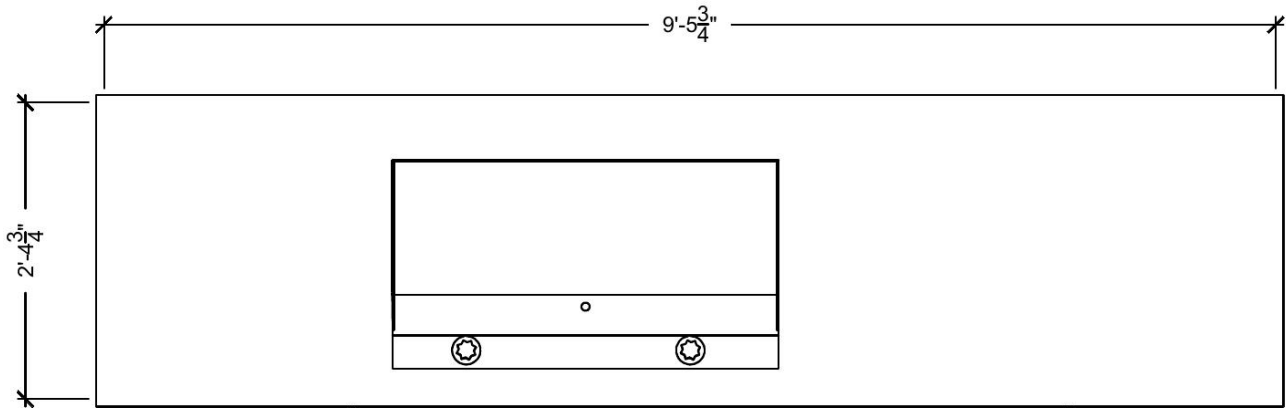
- Powder Coating: Artesan
- Handle Model: Stainless Steel
- Side Panels: 28 3/4"
- Back panels Included: Yes
- Countertop Thickness: 3/4"
- Appliances: Planet Plancha Grill, Liebherr 24" fridge
- Gas Type: NG or Propane

Print Name: _____

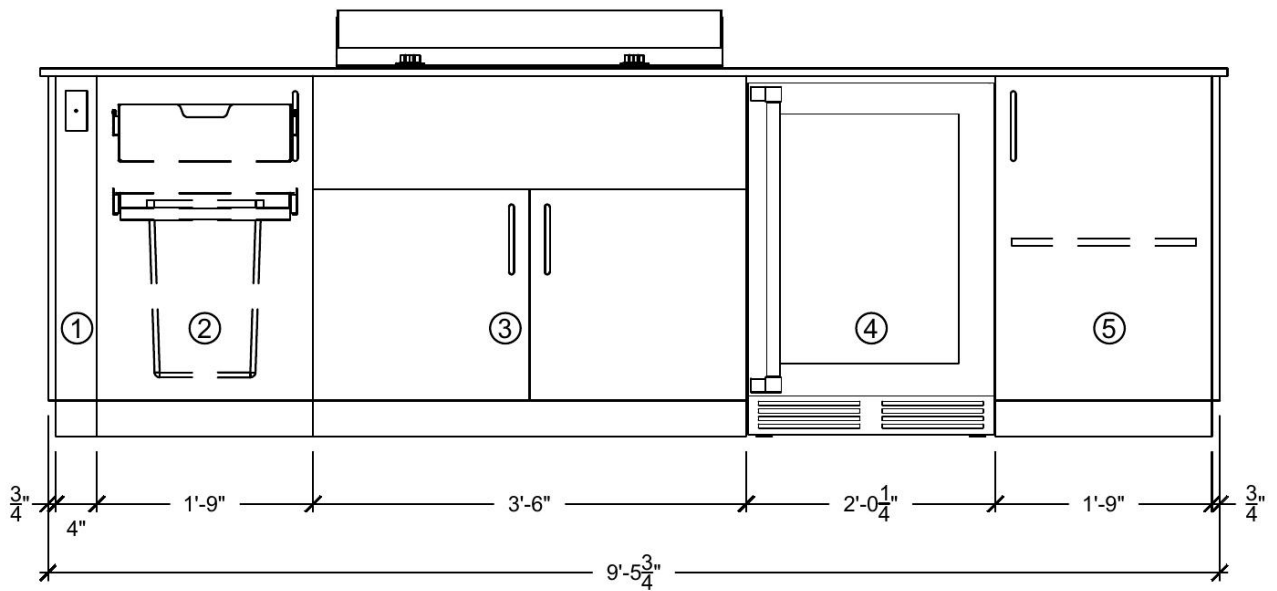
Client Signature: _____

Date: _____

DESIGN SO1220
 HABITAT & JARDIN 2020 (MASDORS DISPLAY)



SO1220 HABITAT & JARDIN 2020 OUTDOOR KITCHEN PLAN



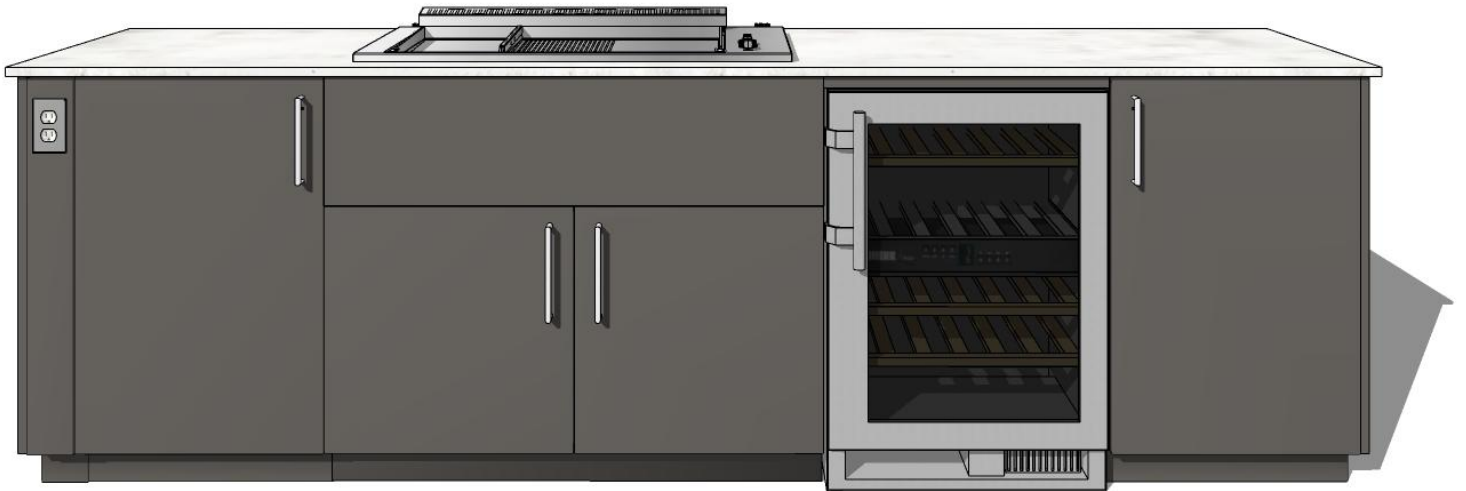
SO1220 HABITAT & JARDIN 2020 OUTDOOR KITCHEN ELEVATION

APPROVED BY:

DATE:

URBAN
Bonfire[™]
URBAIN

DESIGN SO1220
HABITAT & JARDIN 2020 (MASDORS DISPLAY)

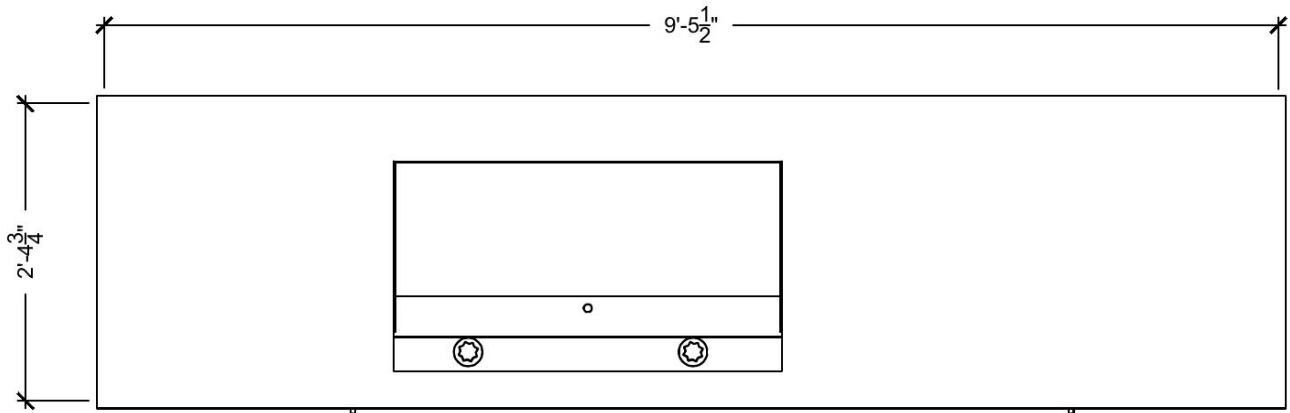


APPROVED BY:

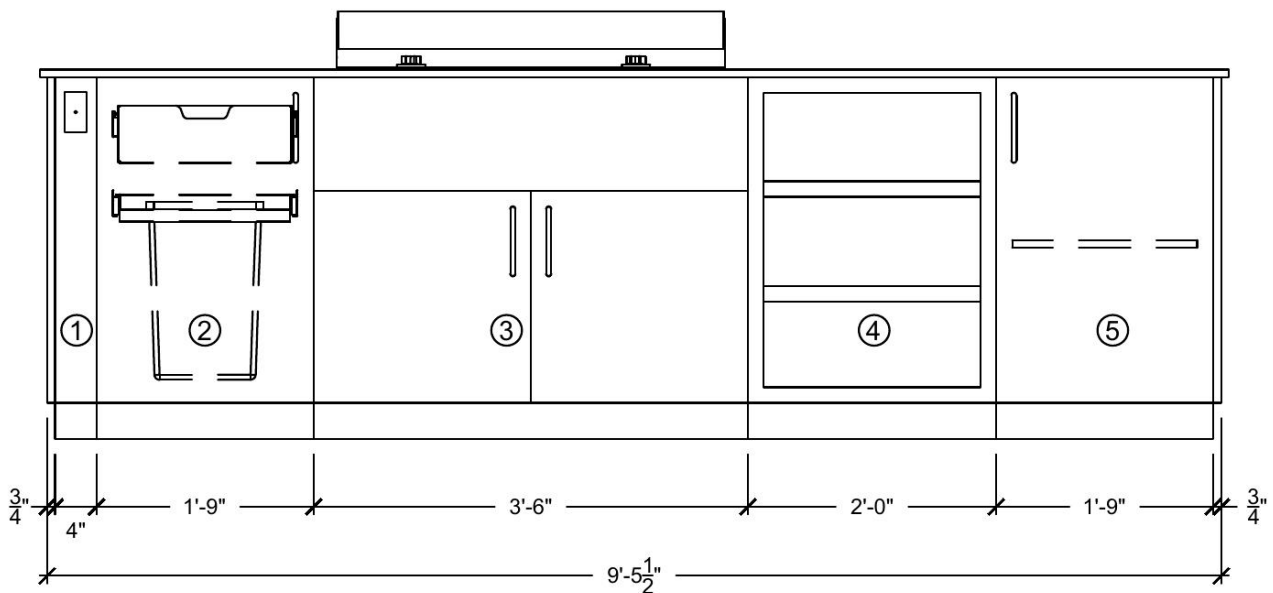
DATE:

COUNTERTOP AND EQUIPMENT INCLUDED FOR AESTHETIC PURPOSES ONLY. NOT INCLUDED IN QUOTE.
MEASUREMENTS DO NOT INCLUDE COUNTERTOP NOSING.

DESIGN SO1220
 HABITAT & JARDIN 2020 (MASDORS DISPLAY)



SO1220 SHOWROOM OUTDOOR KITCHEN PLAN



SO1220 SHOWROOM OUTDOOR KITCHEN ELEVATION

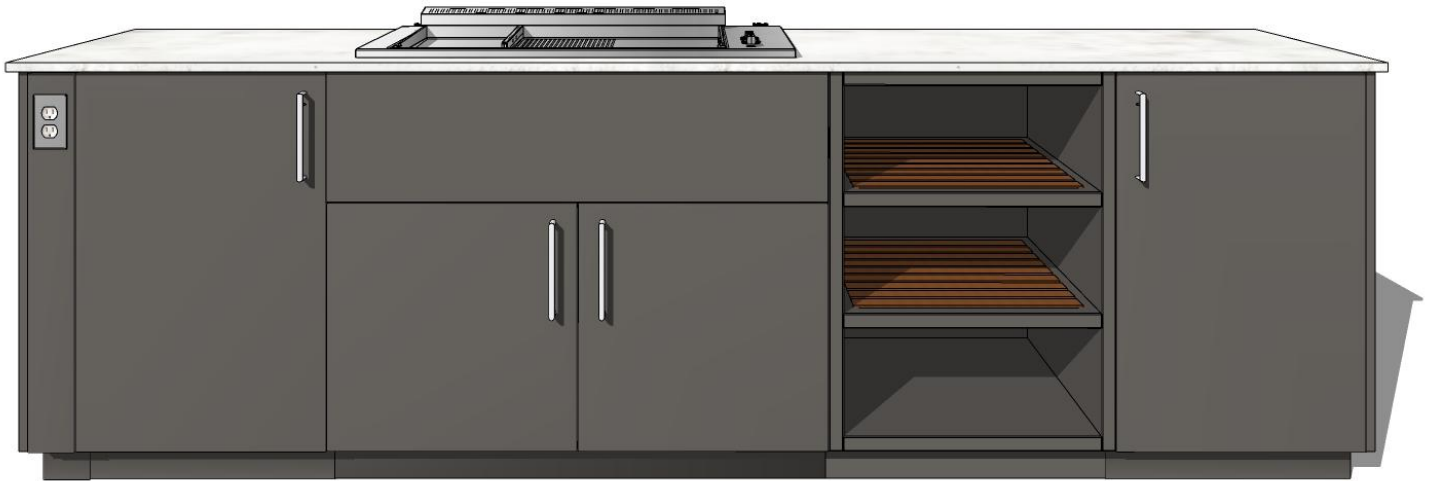
APPROVED BY:

DATE:

COUNTERTOP AND EQUIPMENT INCLUDED FOR AESTHETIC PURPOSES ONLY. NOT INCLUDED IN QUOTE.
 POWDER COATING COLORS DIGITALLY RENDERED. ACTUAL PRODUCT MAY VARY.

URBAN
Bonfire[™]
URBAIN

DESIGN SO1220
HABITAT & JARDIN 2020 (MASDORS DISPLAY)



APPROVED BY:

DATE:

COUNTERTOP AND EQUIPMENT INCLUDED FOR AESTHETIC PURPOSES ONLY. NOT INCLUDED IN QUOTE.
POWDER COATING COLORS DIGITALLY RENDERED. ACTUAL PRODUCT MAY VARY.

Masdors
 La Croix 6
 1418 Vuarrens
 Switzerland

SO1220

Project Name: Habitat & Jardin 2020 **Quotation Date:** 01/28/2020 22:09:58 **Salesperson:** Ashley Smith **Expiration Date:** 02/27/2020 **Client PO#**

| DESCRIPTION | QUANTITY |
|---|----------|
| Cabinet 1 | |
| A-ENDP28-BF4 (Artesan) Standard finish end panel for A-BF4. Thick marine grade aluminum construction. Includes self leveling toe kick and choice of powder coating. | 1.000 |
| A-BF4-LH (Artesan) 4" Plug cabinet. Includes waterproof plug box and cover. Subject to local codes. Wiring and outlet to be supplied by certified local trade. LEFT | 1.000 |
| A-BCKP4 (Artesan) 4" Finish back panel for A-BF4. Thick marine grade aluminum construction. Includes self leveling toe kick and choice of powder coating. | 1.000 |
| Cabinet 2 | |
| A-BF21-U-LH (Artesan) 21" Utility base storage cabinet with modular keyhole track system for accessories. Thick marine grade aluminum construction. All 304 stainless steel hardware. Includes self leveling toe kick, choice of powder coating and solid 304 stainless steel round handles. LEFT HINGE. | 1.000 |
| A-DR21 (Artesan) Heavy duty drawer accessory for A-BF21-U. Thick marine grade aluminum construction. All 304 stainless steel hardware. Includes choice of powder coating. | 1.000 |
| A-GBG21 (Artesan) Pull out refuse and recycling accessory for A-BF21-U. Thick marine grade aluminum construction. All 304 stainless steel hardware. Includes choice of powder coating. | 1.000 |
| [H-BF21-SS] H-BF21-SS A-BF21 Standard handle: Solid 304 stainless steel round | 1.000 |
| A-BCKP21 (Artesan) 21" Finish back panel for A-BF21, A-BD21 & A-BB21. Thick marine grade aluminum construction. Includes self leveling toe kick and choice of powder coating. | 1.000 |
| Cabinet 3 | |
| A-GB42-11 (Artesan) 42" Grill base cabinet. Thick marine grade aluminum construction. All 304 stainless steel hardware. Includes self leveling toe kick, choice of powder coating and solid 304 stainless steel round handles. | 1.000 |
| A-TRIM-GB42-11-FULLTRIM (Artesan) | 1.000 |
| [H-GB42-SS] H-GB42-SS A-GB42 Standard handle: Solid 304 stainless steel round | 1.000 |
| A-BCKP42 (Artesan) 42" Finish back panel for A-GB42. Thick marine grade aluminum construction. Includes self leveling toe kick and choice of powder coating. | 1.000 |

| DESCRIPTION | QUANTITY |
|--|----------|
| Cabinet 4 | |
| A-FRDG24.25 (Artesan) 24.25" Finish back panel for 24" refrigerator or freezer. Thick marine grade aluminum construction. Includes self leveling toe kick and choice of powder coating. | 1.000 |
| Cabinet 5 | |
| A-BF21-U-RH (Artesan) 21" Utility base storage cabinet with modular keyhole track system for accessories. Thick marine grade aluminum construction. All 304 stainless steel hardware. Includes self leveling toe kick, choice of powder coating and solid 304 stainless steel round handles. RIGHT HINGE. | 1.000 |
| A-SHELF21 (Artesan) 21" Fixed shelf for BF21-U cabinet. Adjustable height. Thick marine grade aluminum construction. Includes choice of powder coating. | 1.000 |
| [H-BF21-SS] H-BF21-SS A-BF21 Standard handle: Solid 304 stainless steel round | 1.000 |
| A-BCKP21 (Artesan) 21" Finish back panel for A-BF21, A-BD21 & A-BB21. Thick marine grade aluminum construction. Includes self leveling toe kick and choice of powder coating. | 1.000 |
| A-ENDP28-STD (Artesan) Standard finish end panel. Thick marine grade aluminum construction. Includes self leveling toe kick and choice of powder coating. | 1.000 |
| Showroom Cabinet 4 | |
| <i>Note: To replace Cabinet 4 in showroom display after Habitat & Jardin 2020</i> | |
| A-BO24-W (Artesan) 24" Open shelving base cabinet with oiled IPE slats. Thick marine grade aluminum construction. Includes self leveling toe kick and choice of powder coating. | 1.000 |
| A-BCKP24 (Artesan) 24" Finish back panel for A-B024. Thick marine grade aluminum construction. Includes self leveling toe kick and choice of powder coating. | 1.000 |
| Display | |
| Urban Bonfire Catalogs (case) | 1.000 |
| Dealer Sample Display Box | 1.000 |

Personalize

We offer a curated selection of colors, hardware design, accessories and material options to allow for full creativity in the layout, functionality and appearance of every custom kitchen.

Handles



STAINLESS
(INCLUDED)

Solid Bronze Upgrades



PULL
(341)



URBAN
(337)



BAUHAUS
(3312)

Powder Coating & Colors



ONYX



ANTHRACITE



ARTESAN



CHANTILLY

Solid Bronze Handle Finish Options



WHITE BRONZE (WL)



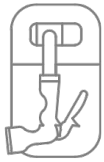
BLACK BRONZE (BZ)



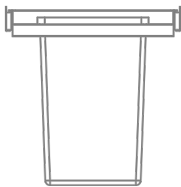
LIGHT BRONZE (LT)

Cabinet Interiors

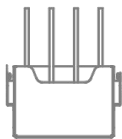
Designed to maximize both the space and functionality of each cabinet, our universal track system integrates seamlessly with fixed shelves, Kamado accessory racks, pull-out drawers, a retractable garden hose and a garbage/recycling system.



RETRACTABLE GARDEN HOSE



GARBAGE/RECYCLING SYSTEM



KAMADO ACCESSORY RACK



FIXED SHELVES



PULL-OUT DRAWERS

RETRACTABLE GARDEN HOSE



KAMADO ACCESSORY RACK



FLUSH MOUNT DRAWERS



GARBAGE/RECYCLING SYSTEM



FIXED SHELVES



PULL-OUT DRAWERS

