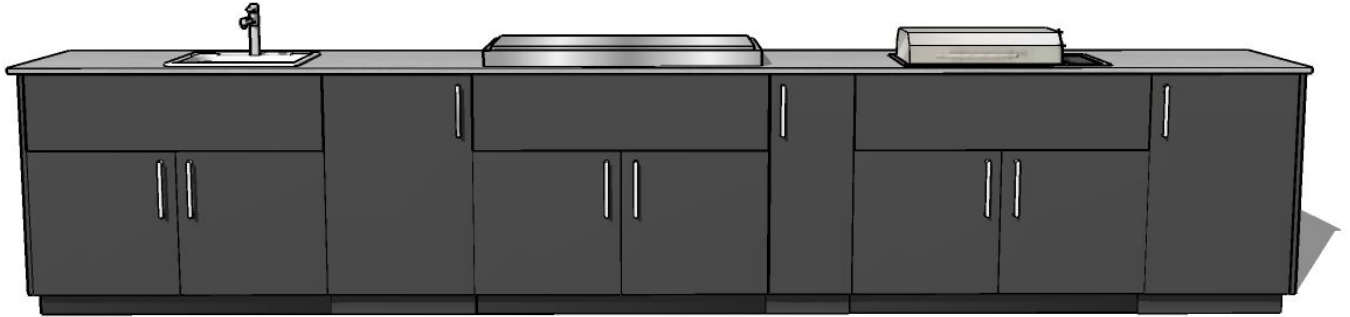
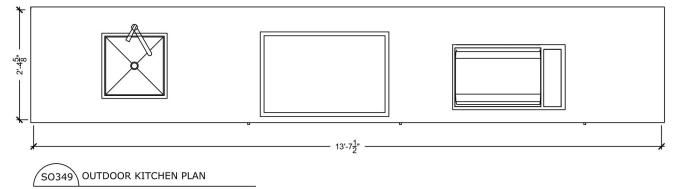
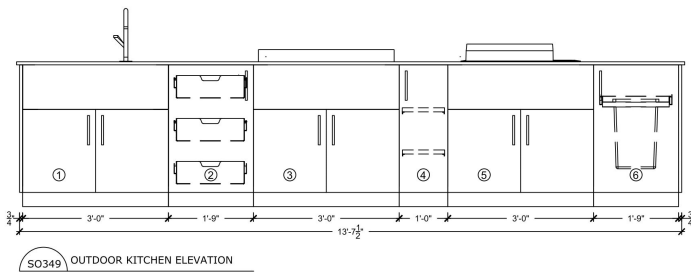


URBAN  
*Bonfire*<sup>™</sup>  
 URBAIN



EVERY URBAN BONFIRE<sup>™</sup> OUTDOOR KITCHEN DESIGN INCLUDES:

- Thick Marine Grade Aluminum Construction
- Full Interior and Exterior Electrostatic Powder Coating
- Adjustable Commercial Grade 304 Stainless Steel Leveling Legs
- Matching Powder Coated Integrated Self-Leveling Toe Kick
- Compatibility with all Major Grill Brands and Outdoor Cooking Accessories
- Compatibility with Dekton, Sensa and Most Outdoor Countertop Surfaces
- 304 Stainless Steel Handles and Interior Hardware
- Ten-Year Limited Warranty



Print Name: \_\_\_\_\_

Client Signature: \_\_\_\_\_

Date: \_\_\_\_\_

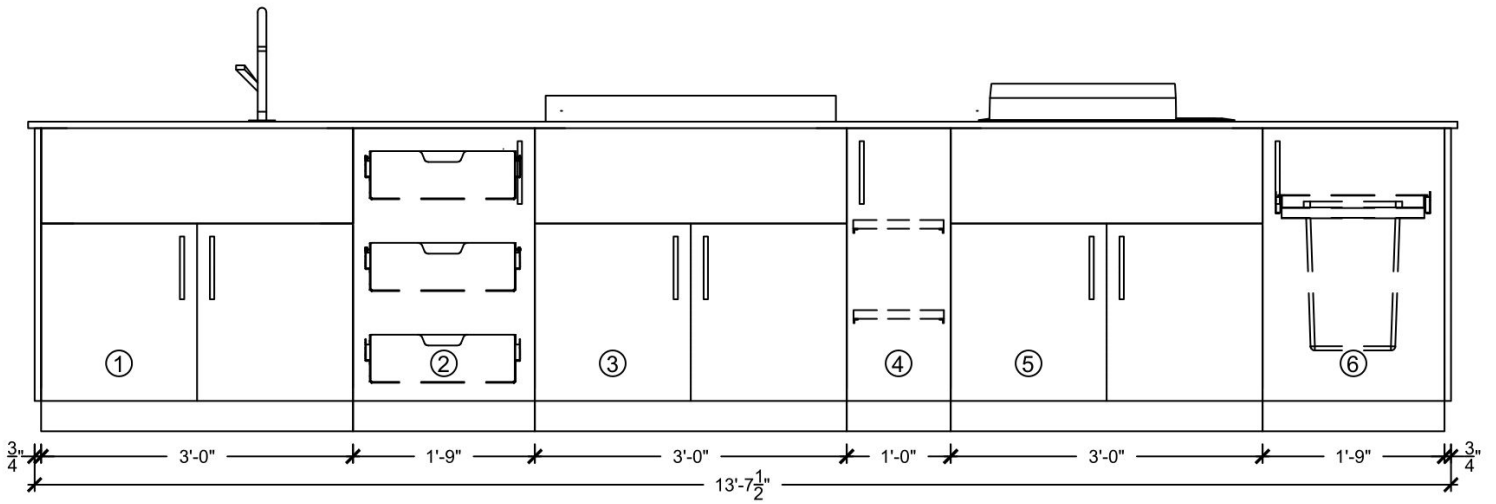
↔ 13'- 7 1/2"

↕ 2'- 4 5/8"

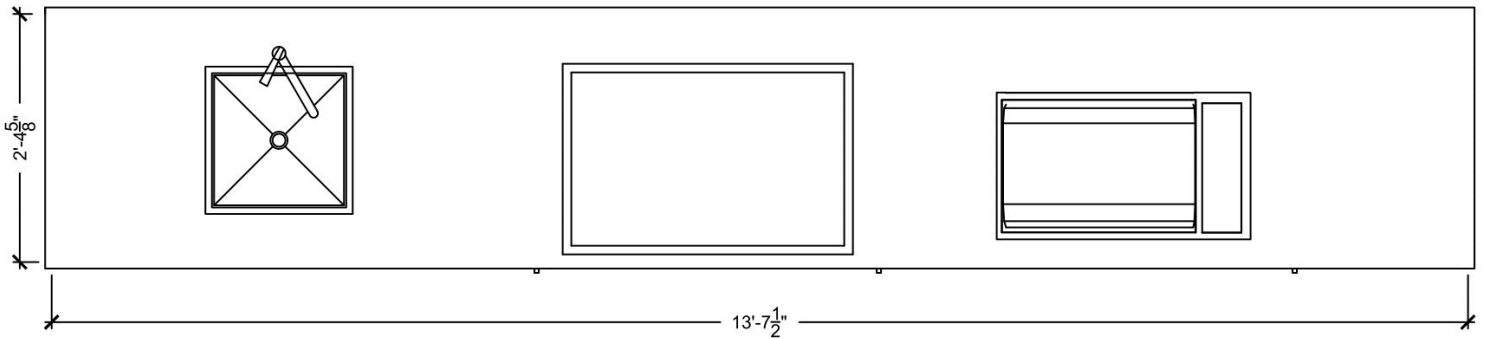
DESIGN CONSIDERATIONS:

- Powder Coating: Anthracite
- Handle Model: Stainless steel
- Side Panels: 28"
- Back panels Included: No
- Countertop Thickness: 3/4"
- Appliances: Plancha planet 33.5" , Kenyon electric BBQ 29.5", Sink
- Gas Type: N/A

DESIGN SO349  
 POOL HOUSE (MASDORS)



SO349 OUTDOOR KITCHEN ELEVATION



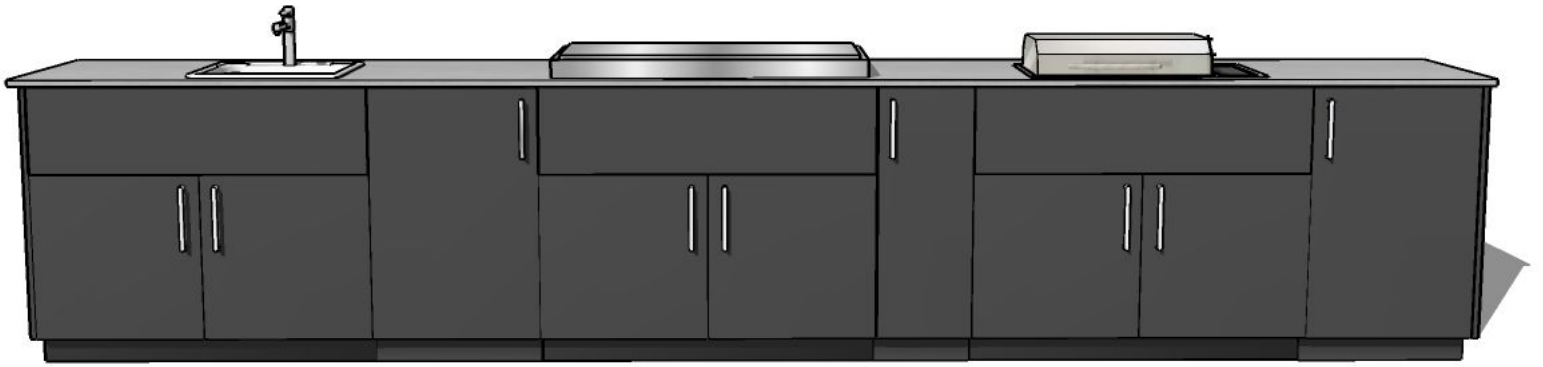
SO349 OUTDOOR KITCHEN PLAN

APPROVED BY:

DATE:

URBAN  
*Bonfire*<sup>™</sup>  
URBAIN

DESIGN SO349  
POOL HOUSE (MASDORS)



APPROVED BY:

DATE:

COUNTERTOP AND EQUIPMENT INCLUDED FOR AESTHETIC PURPOSES ONLY. NOT INCLUDED IN QUOTE.  
POWDER COATING COLORS DIGITALLY RENDERED. ACTUAL PRODUCT MAY VARY.

Masdors, Richard Mas  
 La Croix 6  
 1418 Vuarrens  
 Switzerland

# SO349

**Project Name:** Pool house      **Quotation Date:** 08/09/2019 13:31:17      **Salesperson:** RFQ      **Expiration Date:** 09/08/2019      **Client PO#:**

DESCRIPTION	QUANTITY
<b>Cabinet 1</b>	
A-ENDP28-STD (Anthracite) Standard finish end panel. Thick marine grade aluminum construction. Includes self leveling toe kick and choice of powder coating.	1.000
A-GB36-11 (Anthracite) 36" Grill base cabinet. Thick marine grade aluminum construction. All 304 stainless steel hardware. Includes self leveling toe kick, choice of powder coating and solid 304 stainless steel round handles.	1.000
A-TRIM-GB36-11-FULLPANEL (Anthracite)	1.000
[H-GB36-SS] H-GB36-SS A-GB36 Standard handle: Solid 304 stainless steel round	1.000
<b>Cabinet 2</b>	
A-BF21-U-LH (Anthracite) 21" Utility base storage cabinet with modular keyhole track system for accessories. Thick marine grade aluminum construction. All 304 stainless steel hardware. Includes self leveling toe kick, choice of powder coating and solid 304 stainless steel round handles. LEFT HINGE.	1.000
A-DR21 (Anthracite) Heavy duty drawer accessory for A-BF21-U. Thick marine grade aluminum construction. All 304 stainless steel hardware. Includes choice of powder coating.	3.000
[H-BF21-SS] H-BF21-SS A-BF21 Standard handle: Solid 304 stainless steel round	1.000
<b>Cabinet 3</b>	
A-GB36-11 (Anthracite) 36" Grill base cabinet. Thick marine grade aluminum construction. All 304 stainless steel hardware. Includes self leveling toe kick, choice of powder coating and solid 304 stainless steel round handles.	1.000
A-TRIM-GB36-11-FULLPANEL (Anthracite)	1.000
[H-GB36-SS] H-GB36-SS A-GB36 Standard handle: Solid 304 stainless steel round	1.000
<b>Cabinet 4</b>	
A-BF12-U-RH (Anthracite) 12" Utility base storage cabinet with modular keyhole track system for accessories. Thick marine grade aluminum construction. All 304 stainless steel hardware. Includes self leveling toe kick, choice of powder coating and solid 304 stainless steel round handles. RIGHT HINGE	1.000

DESCRIPTION	QUANTITY
A-SHELF12 (Anthracite) 12" Fixed shelf for BF12-U cabinet. Adjustable height. Thick marine grade aluminum construction. Includes self leveling toe kick and choice of powder coating.	2.000
[H-BF12-SS] H-BF12-SS A-BF12 Standard handle: Solid 304 stainless steel round	1.000
<b>Cabinet 5</b>	
A-GB36-11 (Anthracite) 36" Grill base cabinet. Thick marine grade aluminum construction. All 304 stainless steel hardware. Includes self leveling toe kick, choice of powder coating and solid 304 stainless steel round handles.	1.000
A-TRIM-GB36-11-FULLPANEL (Anthracite)	1.000
[H-GB36-SS] H-GB36-SS A-GB36 Standard handle: Solid 304 stainless steel round	1.000
<b>Cabinet 6</b>	
A-BF21-U-RH (Anthracite) 21" Utility base storage cabinet with modular keyhole track system for accessories. Thick marine grade aluminum construction. All 304 stainless steel hardware. Includes self leveling toe kick, choice of powder coating and solid 304 stainless steel round handles. RIGHT HINGE.	1.000
A-GBG21 (Anthracite) Pull out refuse and recycling accessory for A-BF21-U. Thick marine grade aluminum construction. All 304 stainless steel hardware. Includes choice of powder coating.	1.000
[H-BF21-SS] H-BF21-SS A-BF21 Standard handle: Solid 304 stainless steel round	1.000
A-ENDP28-STD (Anthracite) Standard finish end panel. Thick marine grade aluminum construction. Includes self leveling toe kick and choice of powder coating.	1.000

# Personalize

We offer a curated selection of colors, hardware design, accessories and material options to allow for full creativity in the layout, functionality and appearance of every custom kitchen.

## Handles



STAINLESS  
(INCLUDED)

## Solid Bronze Upgrades



PULL  
(341)



URBAN  
(337)



BAUHAUS  
(3312)

## Powder Coating & Colors



ONYX



ANTHRACITE



ARTESAN



CHANTILLY

## Solid Bronze Handle Finish Options



WHITE BRONZE (WL)



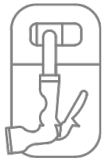
BLACK BRONZE (BZ)



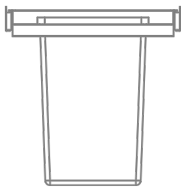
LIGHT BRONZE (LT)

# Cabinet Interiors

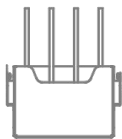
Designed to maximize both the space and functionality of each cabinet, our universal track system integrates seamlessly with fixed shelves, Kamado accessory racks, pull-out drawers, a retractable garden hose and a garbage/recycling system.



RETRACTABLE GARDEN HOSE



GARBAGE/RECYCLING SYSTEM



KAMADO ACCESSORY RACK



FIXED SHELVES



PULL-OUT DRAWERS

RETRACTABLE GARDEN HOSE



KAMADO ACCESSORY RACK



FLUSH MOUNT DRAWERS



GARBAGE/RECYCLING SYSTEM



FIXED SHELVES



PULL-OUT DRAWERS

