

## ECLIPSE SMART-HEAT™ ELECTRIC

Dim the lights and turn up the heat with our  
Eclipse Smart-Heat™ Electric heater.

Available in six unique mounting options,  
the new Bronic Eclipse Smart-Heat™ series adds style,  
warmth and light to design-focused outdoor spaces.



ECLIPSE  
SMART-HEAT™ ELECTRIC

# SPECIFICATIONS

Reference the specification guide below to help you select the correct solution for your needs.

## MODEL NUMBER

|                         |                              |
|-------------------------|------------------------------|
| PRODUCT CODE            | BH0920011                    |
| FUEL TYPE               | ELECTRIC (3400W)             |
| COLOR                   | PREMIUM, DOUBLE COATED STEEL |
| HEAT AREA               | 13M <sup>2</sup>             |
| LED COLOR               | WARM WHITE - DIMMABLE        |
| RATED CURRENT & VOLTAGE | 220-240 V - A.C. - 50-60 HZ  |
| MINIMUM FLOOR CLEARANCE | CEILING 2438MM   WALL 2438MM |

## MOUNTING OPTIONS

|  |                      |
|--|----------------------|
| WALL MOUNT                             | BH3230016 (OPTIONAL) |
| 200MM STRAIGHT CEILING MOUNT POLE      | BH3230011 (OPTIONAL) |
| 600MM STRAIGHT CEILING MOUNT POLE      | BH3230012 (OPTIONAL) |
| 600MM TWIN STRAIGHT CEILING MOUNT POLE | INCLUDED             |
| 600MM CURVED CEILING MOUNT POLE        | BH3230014 (OPTIONAL) |
| 1200MM STRAIGHT CEILING MOUNT POLE     | BH3230015 (OPTIONAL) |

## CONTROL OPTIONS

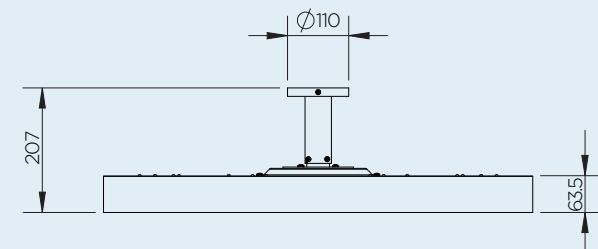
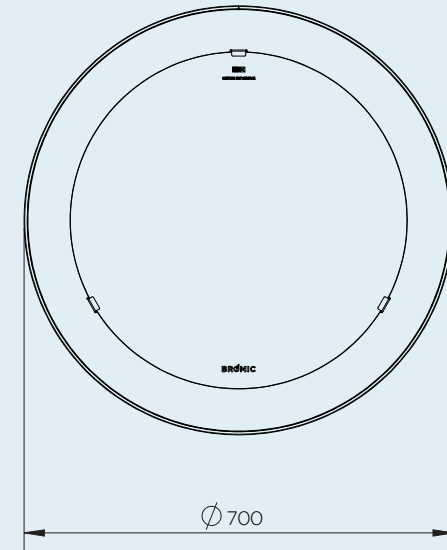
|                   |                      |
|-------------------|----------------------|
| DIMMER CONTROL    | INCLUDED             |
| 42 CHANNEL REMOTE | BH3130021 (OPTIONAL) |

Measurements displayed within this document are minimum requirements for installation.  
Bromic takes no responsibility for incorrect or non-compliant installations.  
All measurement in this document are displayed in mm.

# DIMENSIONS

With a wide range of sizes available, find the ideal heater to suit your outdoor space.

## PRODUCT MEASUREMENTS

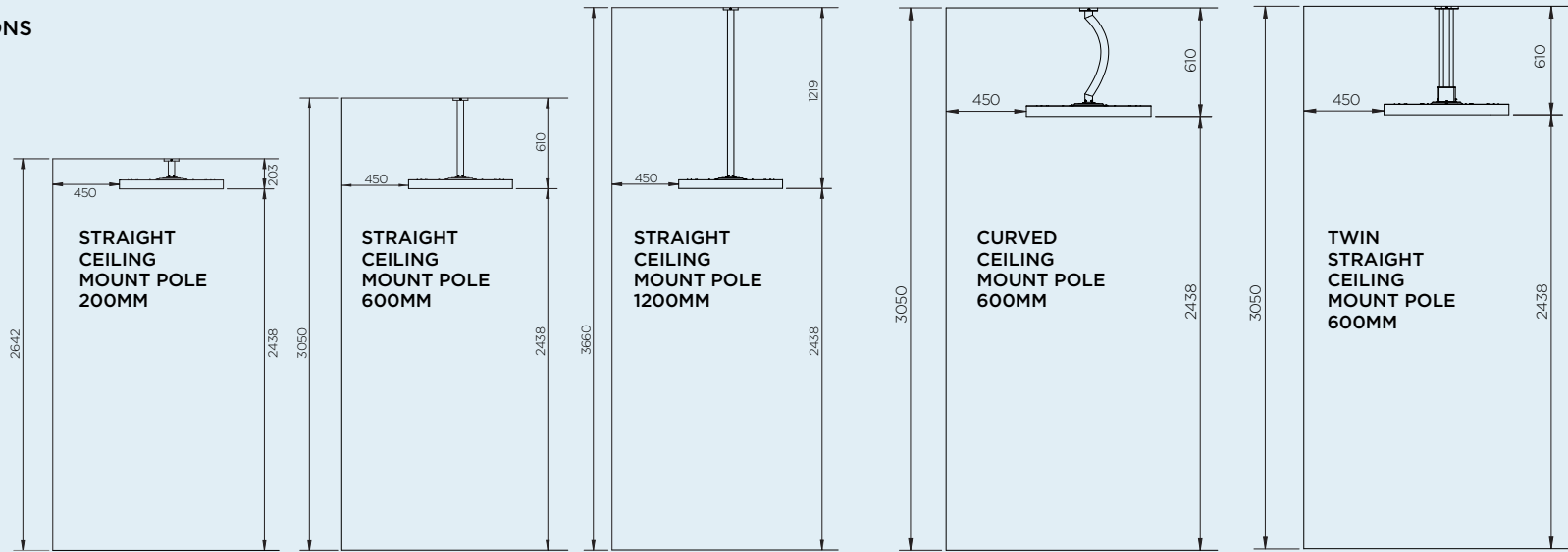


# CLEARANCE

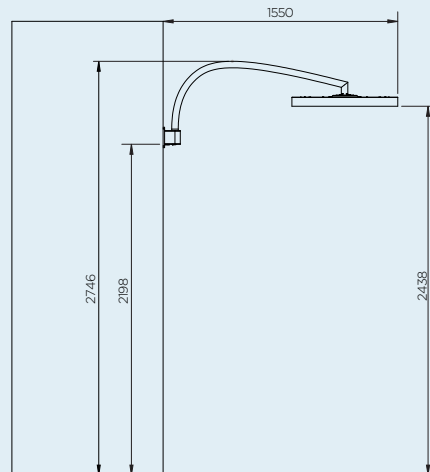
With a wide array of mounting options, Bromic offers solutions to compliment any décor and provide functionality for ambiance and comfort.

## MOUNTING OPTIONS

### CEILING MOUNTING OPTIONS



### WALL MOUNTING

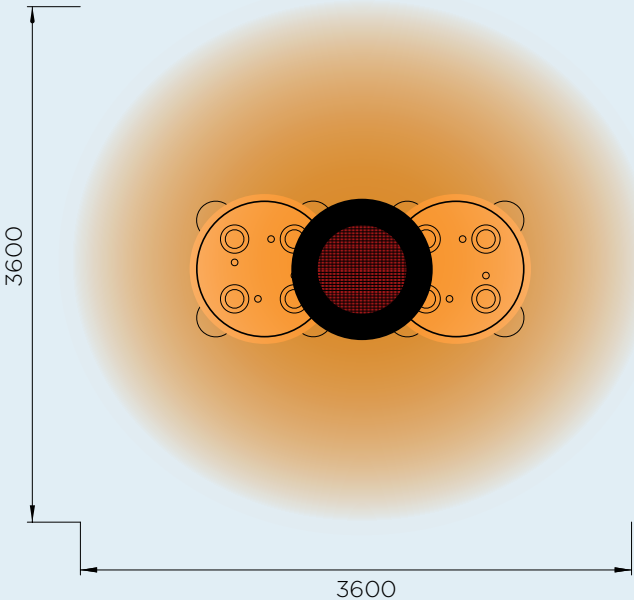


# HEATING REACH

Creating ideal comfort levels, Bromic heaters offer a variety of heat distribution options to suit your outdoor heating needs.

## HEAT AREAS

**3400W SERIES**  
HEATING APPROXIMATELY 13M<sup>2</sup>  
3400W HEATING POWER



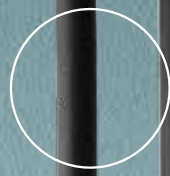
\*HEAT AREA DEPENDENT ON AMBIENT TEMPERATURE AND WIND. OPTIMUM CONDITIONS EXPERIENCED AT APPROX 15.5°C AND IN A LOW WIND COVERED ENVIRONMENT.





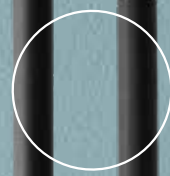
EXTEND YOUR COMFORT OUTDOORS  
WITH THE SUPERIOR HEAT AND  
AWARD-WINNING DESIGN OF OUR  
SMART-HEAT™ OUTDOOR HEATERS.

---



**FLEXIBLE MOUNTING OPTIONS**

Minimal vertical clearance requirements and a wide range of wall, ceiling, and free-standing options to suit any space.



**PREMIUM CONSTRUCTION**

Superior components, ensuring longevity of use and aesthetic appeal for years to come.

**UNIQUE DESIGN**

Elegantly understated design that complements any design-focused outdoor environment.



**CERAMIC SCREEN**

Spreads heat evenly across any area while minimizing light emission from the heating element.



**DIMMABLE LIGHT**

Complete flexibility over level of brightness for the right amount of ambience.

**PRECISE CONTROL**

Accurately adjust the heat output (0/33/66/100%) for complete control over the level of comfort.



**COMPATIBLE WITH  
SMART-WIRELESS  
TECHNOLOGY**

**BROMIC.COM/HEAT**

ASIA PACIFIC | NORTH AMERICA | EUROPE

Bromic pursues a policy of continuing improvement in design and performance of its products. The right is therefore reserved to vary specifications without notice.

04.2021