

BROMIC[®]
HEATING



ECLIPSE
SMART-HEAT™ ELECTRIC
PORTABLE

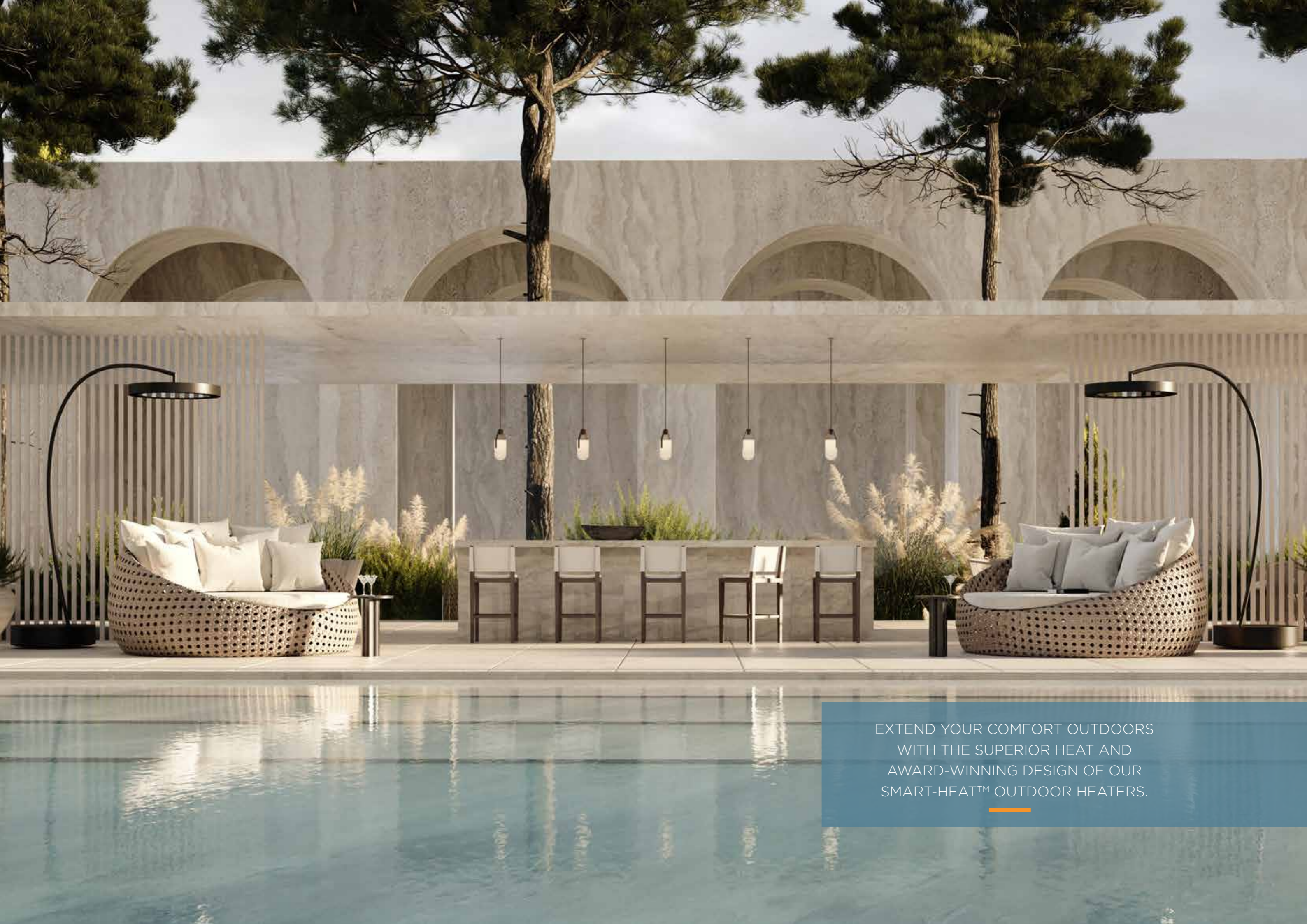


ECLIPSE SMART-HEAT™ PORTABLE

Dim the lights and turn up the heat with our Eclipse Smart-Heat™ Electric Portable heater. Featuring a striking, elegant design, this powerful heater will bring both warmth and light to design-focused outdoor spaces.



**COMPATIBLE WITH
SMART-WIRELESS
TECHNOLOGY**



EXTEND YOUR COMFORT OUTDOORS
WITH THE SUPERIOR HEAT AND
AWARD-WINNING DESIGN OF OUR
SMART-HEAT™ OUTDOOR HEATERS.

ECLIPSE SMART-HEAT™ ELECTRIC PORTABLE

MODEL NUMBER

PRODUCT CODE	BH0820011
FUEL TYPE	ELECTRIC (3400W)
COLOR	MATTE BLACK
HEAT AREA	13M ²
LED COLOR	WARM WHITE - DIMMABLE
RATED CURRENT & VOLTAGE	220-240 V - A.C. - 50-60 HZ
MINIMUM FLOOR CLEARANCE	2000MM

MOUNTING OPTION

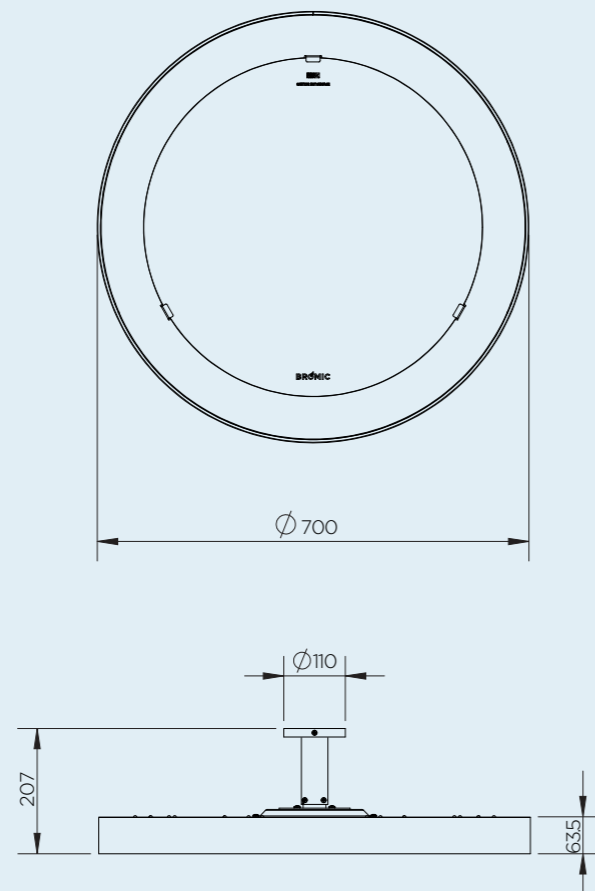
FREESTANDING	✓
--------------	---

CONTROL OPTIONS

DIMMER CONTROL	INCLUDED
42 CHANNEL REMOTE	BH3130021 (OPTIONAL)

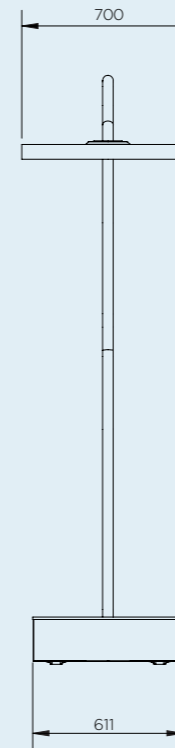
Measurements displayed within this catalogue are minimum requirements for installation.
Bromic takes no responsibility for incorrect or non-compliant installations.
All measurement in this catalogue are displayed in mm.

PRODUCT MEASUREMENTS

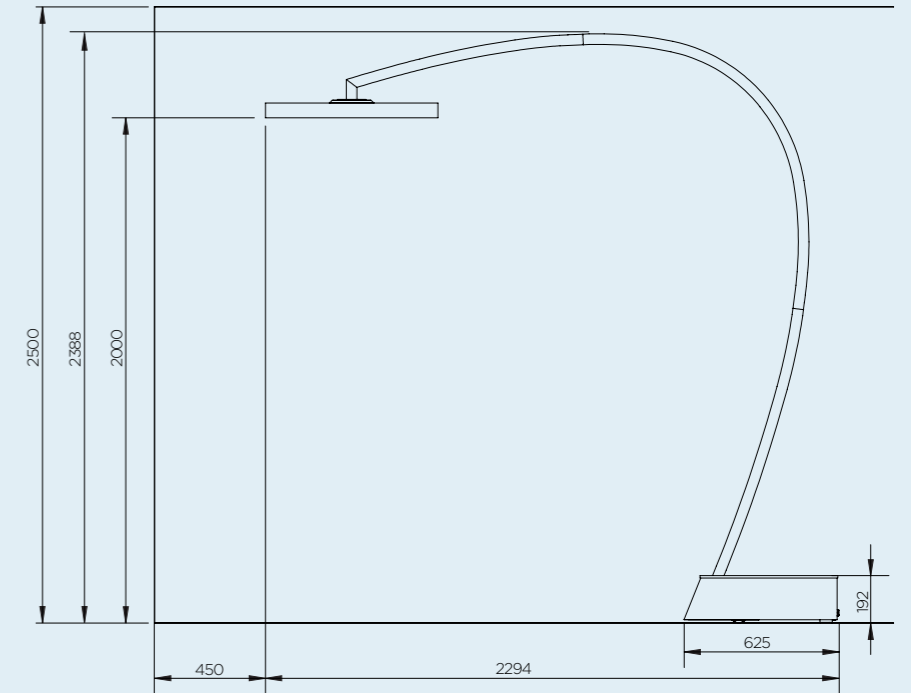


FREESTANDING

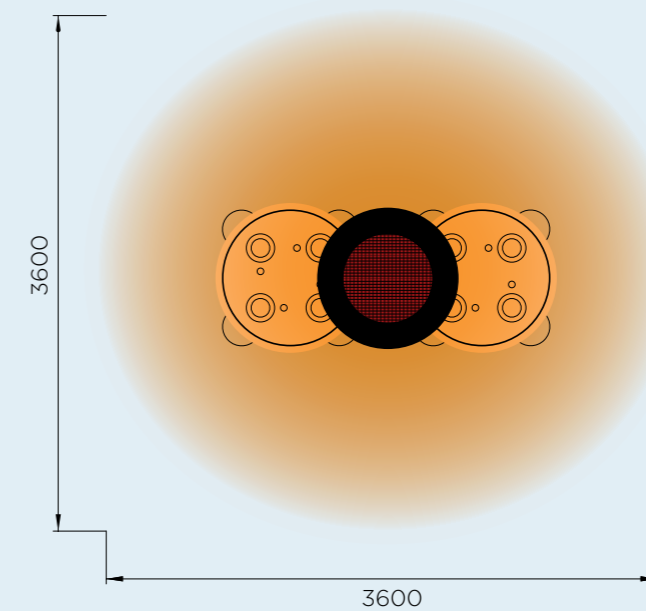
FRONT VIEW



CEILING & WALL CLEARANCE



HEAT AREA



3400W SERIES
HEATING APPROXIMATELY 13M²
3400W HEATING POWER

*HEAT AREA DEPENDENT ON AMBIENT TEMPERATURE AND WIND. OPTIMUM CONDITIONS EXPERIENCED AT APPROX 15.5°C AND IN A LOW WIND COVERED ENVIRONMENT.

EXPLORE THE POSSIBILITIES

With the Bromic Smart-Heat™ complimentary design service, designing a solution to optimize heating for your outdoor spaces is simple.

Learn more...

[BROMIC.COM/HEAT](https://www.bromic.com/heat)

[BROMIC.COM/HEAT](https://www.bromic.com/heat)

ASIA PACIFIC | NORTH AMERICA | EUROPE

Bromic pursues a policy of continuing improvement in design and performance of its products. The right is therefore reserved to vary specifications without notice.

04.2021