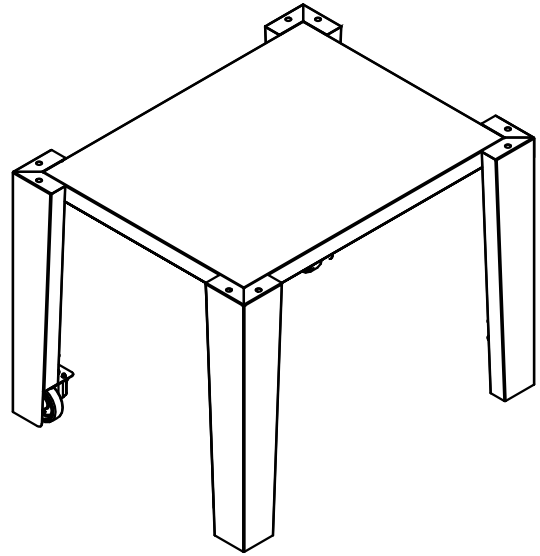
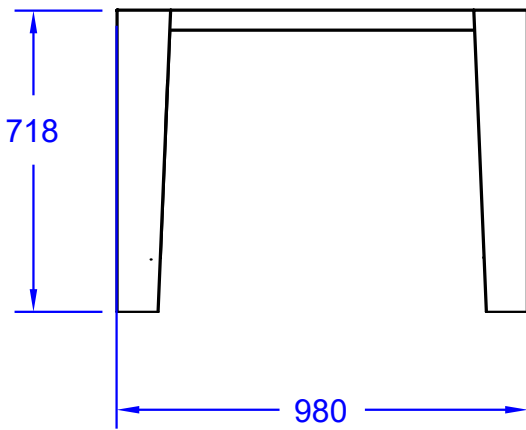




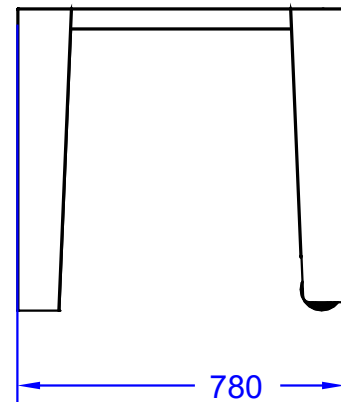
ITEMS: #66141CE
**EXTRA LARGE
GAS FIRED PIZZA
CART STAND
SPEC SHEET**



Isometric View



Front View



Side View

NOTES:

ITEM: 66141CE

1. DIMENSIONS IN MM

2. SCALE: 1 : 18 (Printer page scaling none, do not use fit to printable area option)

3. REVISION: 05/2019

GAS SPECIFICATIONS:

NATURAL GAS(METANO) 20 mbar: 4 m³/hr 12,000 Kcal/hr = 14.0KW

LPG (Propane/Butane) 30 mbar: 2.00 l/hr 12,000 Kcal/hr = 14.0KW