

BUILT IN

MANUAL



oneQ
SMART OUTDOOR COOKING



BUILT IN

PRODUCTS



FLAME



GLOW



HOOD



TOP COMBI



WET BLACK



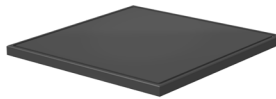
WET INOX



ICE BLACK



ICE INOX



TABLE



BAMBOO



DOME



PLATE



SOCKET



ADAPTOR



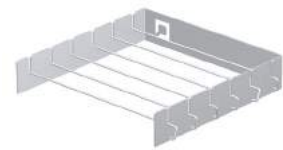
ADAPTOR PLUS



CLOSE



HOT



KEBAB



SHIELD



RING



TAME



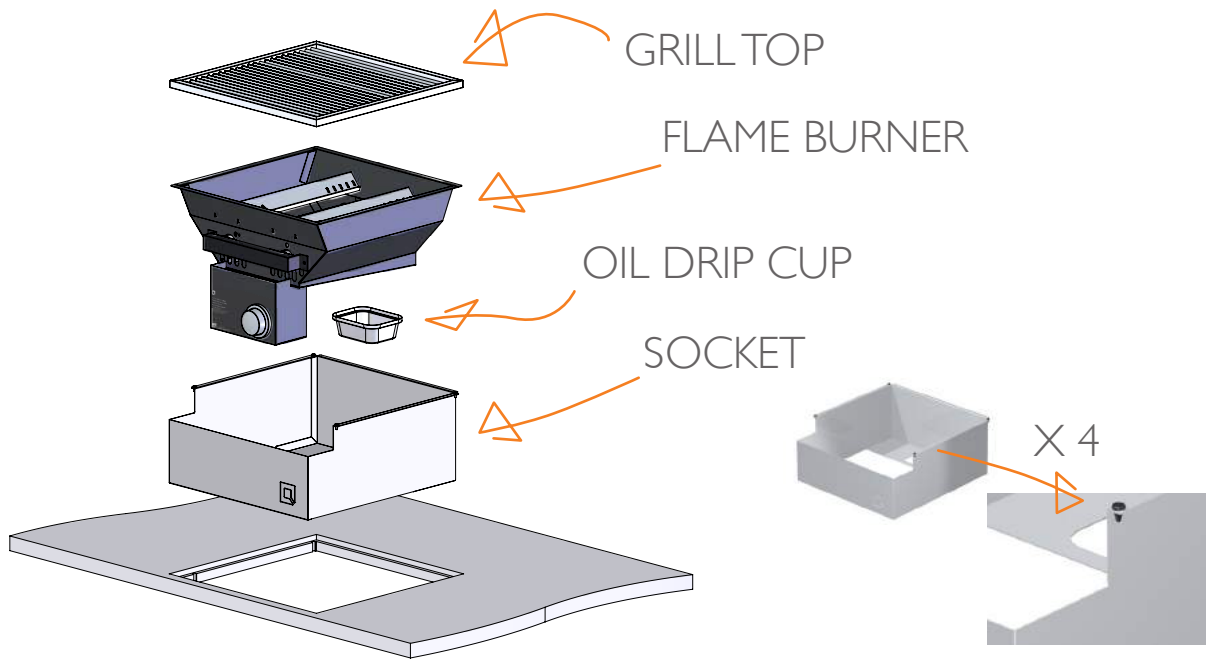
LIFT



CONCRETE

BUILT IN

WITH SOCKET

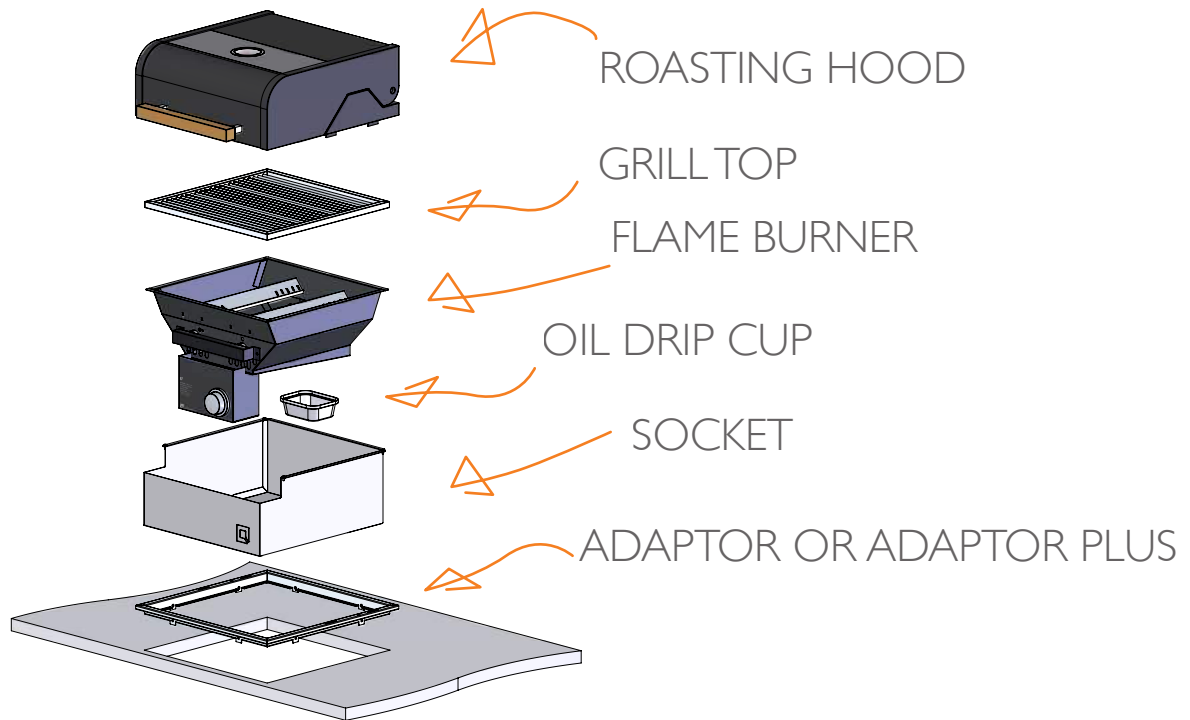


- THE DIRECT INSTALLATION OF ONE-Q PRODUCTS INTO A COUNTERTOP OR TABLE REQUIRES A SQUARE OPENING WITH A RECESSED GROOVE.
- PLEASE ADHERE TO THE MEASUREMENTS IN THIS MANUAL.
- THE ONE-Q SOCKET IS MANDATORY FOR BUILDING IN A FLAME OR GLOW.
- ATTACH THE 4 SUPPLIED SILICONE BUFFERS TO THE TOP OF THE SOCKET.
- PLEASE REMOVE ALL FOIL BEFORE USING THE SOCKET.
- IT IS VERY IMPORTANT TO USE A COUNTERTOP OR TABLE MADE OF NON-COMBUSTABLE MATERIAL.
- ENSURE THERE IS ENOUGH VENTILATION AND AIR SUPPLY UNDERNEATH AND SURROUNDING THE COUNTERTOP OR TABLE
- THE USE OF A SOCKET ADAPTOR PROVIDES EXTRA PROTECTION AND EXCLUDES THE NEED FOR A RECESSED GROOVE IN YOUR COUNTERTOP OPENING.
- THE SOCKET ADAPTOR PLUS IS REQUIRED FOR PROPER FUNCTIONING OF A ROASTING HOOD AND EXCLUDES THE NEED FOR A RECESSED GROOVE IN YOUR COUNTERTOP OPENING.
- IF YOU HAVE ANY QUESTIONS REGARDING SAFETY OR THE PROCEDURES DESCRIBED IN THIS MANUAL, PLEASE DO NOT HESITATE TO CONTACT US DIRECTLY AT [SUPPORT@ONE-Q.COM](mailto:support@one-q.com).
- FOR INFORMATION ON CUSTOM MADE GRILLS OR CONCRETE OR STAINLESS STEEL TABLES, WE WILL GLADLY HELP YOU AT [SALES@ONE-Q.COM](mailto:sales@one-q.com).



BUILT IN

WITH SOCKET AND ADAPTOR OR ADAPTOR PLUS



SOCKET WITH ADAPTOR

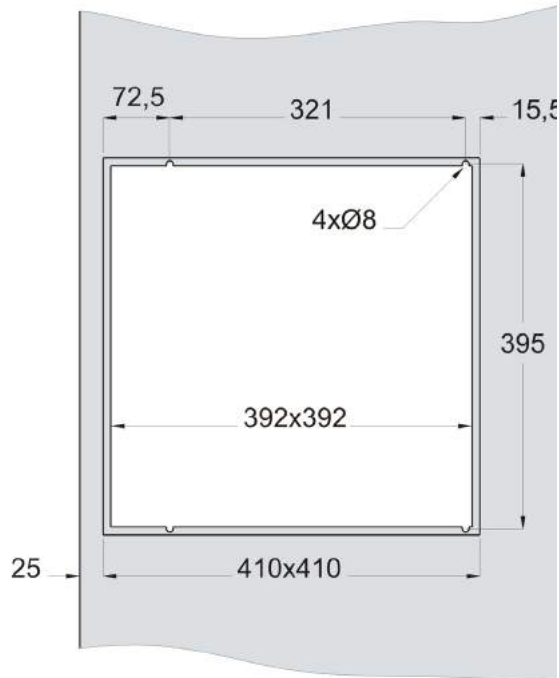
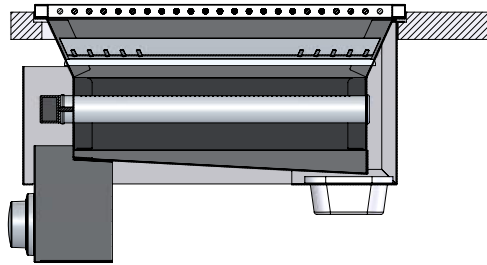
SOCKET WITH ADAPTOR PLUS



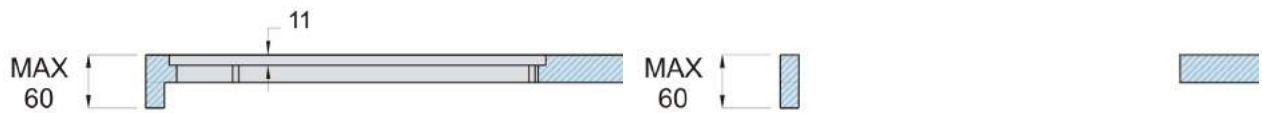
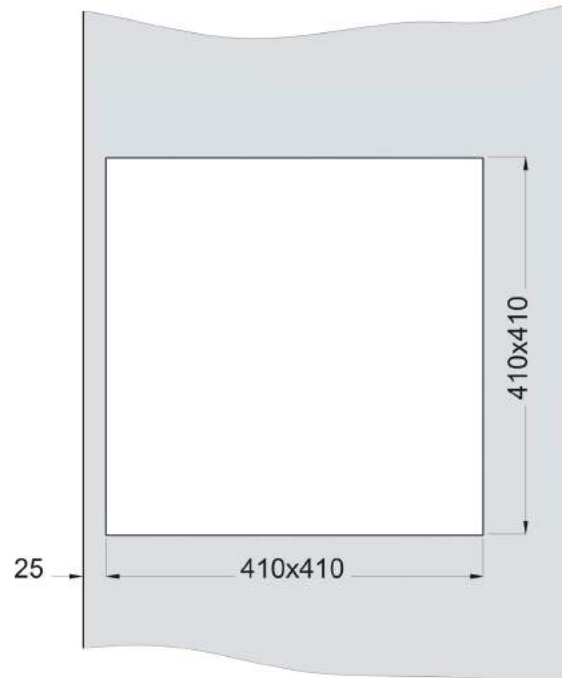
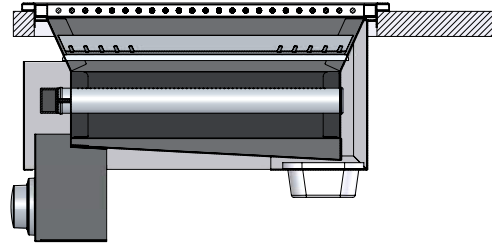
BUILT IN

MEASUREMENTS

SOCKET ONLY



SOCKET WITH ADAPTOR





ONEQ BV
WYNS 49
9091 BA WYNS
THE NETHERLANDS
ONE-Q.COM

ONEQ B.V. ACCEPTS NO RESPONSIBILITY AND CANNOT BE HELD LIABLE FOR ACCIDENTS,
INJURY OR DAMAGE CAUSED BY THE INCORRECT INSTALLATION OR USE OF ONEQ PRODUCTS.
WHEN IN DOUBT, ALWAYS SEEK HELP FROM A PROFESSIONAL, YOUR LOCAL ONEQ DEALER, OR CONTACT US AT SUPPORT@ONE-Q.COM.

